

Owners Manual

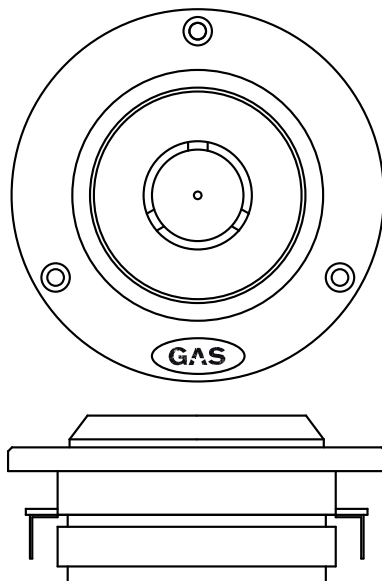
GAS

CAR AUDIO

PRO SPL

TWEETER

MODEL: PST14
PST18



1. INTRODUCTION

Thank you for purchasing this GAS car audio product! We at GAS are committed to create great products for you by following our simple, yet powerful, premise: **Offer more, charge less!**

To ensure proper use of your purchased product, please carefully read through this manual before using the product. It is especially important that you read and observe caution's in this manual. Please keep the manual in a safe and accessible place for future reference.

**CAUTION!! High sound pressure can damage your health!
Please use the common sense when controlling volume!**

2. WARRANTY AND MAINTENANCE INFO

This product is covered by warranty, depending on the conditions in the country where it is sold. If the speaker is returned for service, please include the original dated receipt (or a copy) with the product.



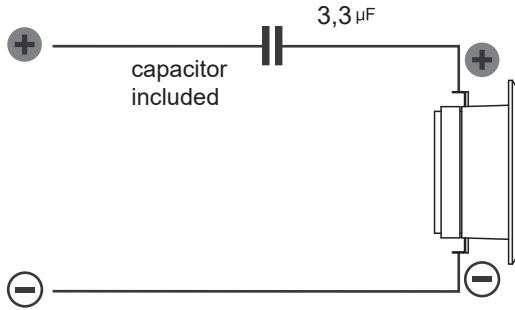
GAS

CAR AUDIO



Designed & Engineered in Sweden

3. WIRING SCHEMATICS OF THE CROSSOVER



4. SPECIFICATIONS

Model	PRO SPL PST14	PRO SPL PST18
Size (inch)	1 inch	1 inch
Magnet type	Ferrite	Ferrite
Cone material	Aluminium	Aluminium
Frame material	Aluminum	Aluminum
Voice coil size (inch)	1 inch	1 inch
Power RMS (Watt)	40W	40W
Power MAX (Watt)	80W	80W
Frequency response (Hz)	2000 - 20 000Hz	2000 - 20 000Hz
Impedance (Ohm)	4 Ohm	8 Ohm
SPL (db)	96 dB	96 dB

This specified sensitivity is not directly connected with the sound pressure in the vehicle, and therefore should not be used as the sole indicator for comparison with other speakers

5. INFORMATION ON DISPOSAL OF THE ELECTRICAL & ELECTRONIC EQUIPMENT

Items marked with the "Crisscrossed wheeled bin" are not allowed to be disposed of together with usual household waste. These electrical and electronic products should be disposed of in special reception centers, equipped for recycling such products and components. For information about the location of your nearest disposal/recycling spot and the rules of delivery of waste, please contact your local municipal office. Recycling and proper disposal helps to protect the environment and prevent harmful effects on health.

