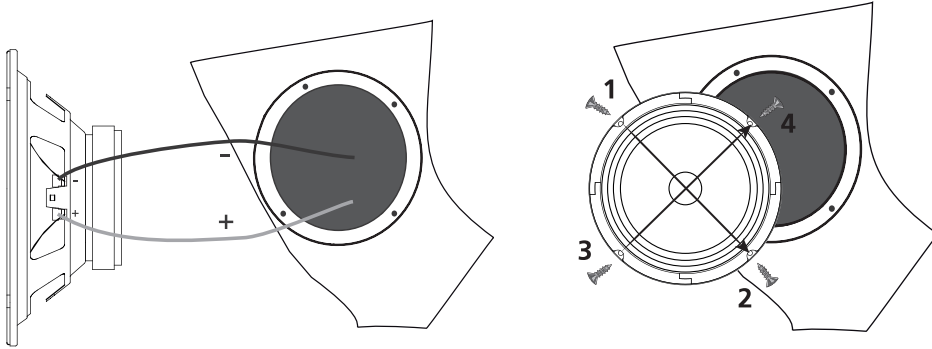


## INSTALLATION



## SPECIFICATIONS

Model	PRO PSM6	PRO SPL PST14	PRO PSX024
Size (inch)	6.5 inch	1 inch	—
Surround material	Cloth	Ferrite	—
Cone material	Pressed paper	Aluminium	—
Frame material	Steel	Aluminum	—
Voice coil size (inch)	1 inch	1 inch	—
Power RMS (Watt)	60W	40W	125W
Music Power (Watt)	120W	80W	250W
Freq. response (Hz)	100 - 12 000Hz	2000 - 20 000Hz	—
Impedance (Ohm)	4 Ohm	4 Ohm	4 Ohm
SPL (db)	92 dB	96 dB	—
Crossover Frequency	—	—	Woofer: LP 5 kHz/6 db Tweeter: HP 6 kHz/12 db

This specified sensitivity is not directly connected with the sound pressure in the vehicle, and therefore should not be used as the sole indicator for comparison with other speakers

The crossover included in this kit can be used with one or two midrange/woofers

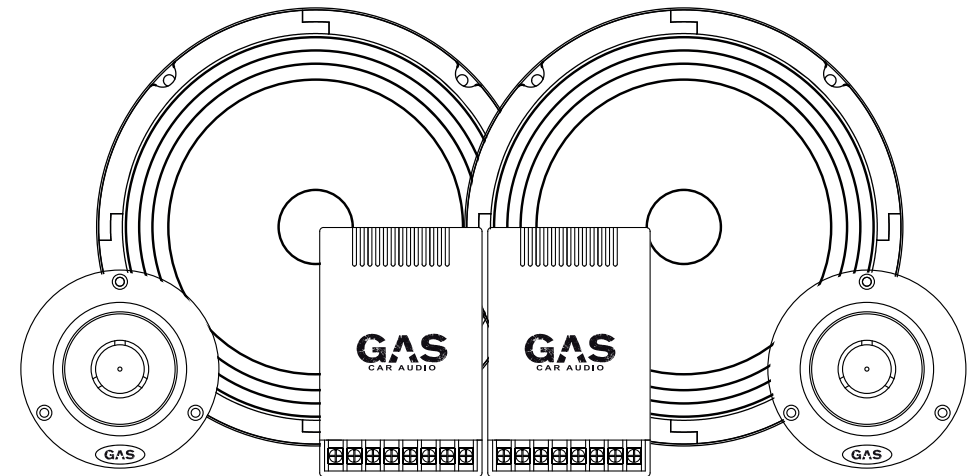
# Owners Manual

# GAS

CAR AUDIO

## PRO SPL

## COMPONENT KIT



MODEL: PSCF62

[www.gascaradio.com](http://www.gascaradio.com)



## 1. INTRODUCTION

Thank you for purchasing this GAS car audio product! We at GAS are committed to create great products for you by following our simple, yet powerful, premise: **Offer more, charge less!**

To ensure proper use of your purchased product, please carefully read through this manual before using the product. It is especially important that you read and observe caution's in this manual. Please keep the manual in a safe and accessible place for future reference.

## 2. SAFETY INSTRUCTIONS

1. Fasten the speakers properly when installing them in the vehicle. If the components is disconnected during driving, it may cause serious damage to the passengers of the vehicle or another vehicle
2. Before installing the components, if possible store the speakers in the original package to avoid accidental damage to the product.
3. Be careful when installing and dismantling the speakers! Do not let the speaker drop to avoid damage of its moving parts.
4. When working with tools follow the safety rules.
5. Before the installation, switch off the head unit and all other audio devices to avoid their damage.
6. Make sure that the location of the speaker does not hinder the proper operation of mechanical and electrical devices of the vehicle.
7. Do not install components in places exposed to water, excessive humidity, high or low temperatures, dust or dirt. **ATTENTION!!** The speakers may be operated at +5 to +40°C. In case of moisture condensation, let the speakers dry.
8. When performing drilling or cutting works with the car, make sure that there is no wiring, brake lines, fuel pipe or other structural elements under the place of work. **Follow the safety rules! Use protective glasses and gloves.**
9. When stretching back the speaker cables, make sure that they are not in contact with sharp edges or moving mechanical devices. Make sure that they are firmly fixed and protected over the entire length.
10. The diameter of the speaker cables must be selected in accordance with the length and applied power.
11. Never stretch the cables outside of the car and near the moving parts of the car. This can lead to destruction of the insulating layer, short circuit and fire.
12. To protect the cables use rubber gaskets if the wire passes through a hole in the metal or if it lies close to the parts exposed to heat.

**CAUTION!! High sound pressure can damage your health!  
Please use the common sense when controlling volume!**

## 3. WARRANTY AND MAINTENANCE INFO

This product is covered by warranty, depending on the conditions in the country where it is sold. If the speaker is returned for service, please include the original dated receipt (or a copy) with the product.

## 4. INFORMATION ON DISPOSAL OF THE ELECTRICAL & ELECTRONIC EQUIPMENT

Items marked with the "Crisscrossed wheeled bin" are not allowed to be disposed of together with usual household waste. These electrical and electronic products should be disposed of in special reception centers, equipped for recycling such products and components. For information about the location of your nearest disposal/recycling spot and the rules of delivery of waste, please contact your local municipal office. Recycling and proper disposal helps to protect the environment and prevent harmful effects on health.



Manufacturer: GAS car audio  
Reserched & designed in Sweden

## 3. WIRING DIAGRAMS

Do not expose your amplifier to loads below the value predetermined by the manufacturer. Example of a type of connection is given at the following page. Use the example below to determine the proper way to install the kit.

### WIRING DIAGRAM FOR A COMPONENT KIT (ONE CHANEL)

