

# GAS

CAR AUDIO

## Instruction Manual

6 INCH SUPER COMPACT  
ACTIVE SUBWOOFER

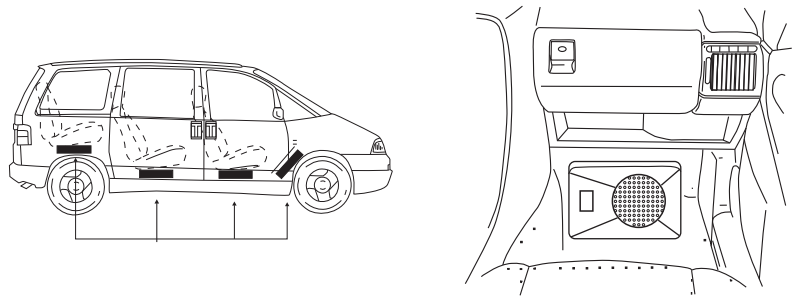
**GS 660A**



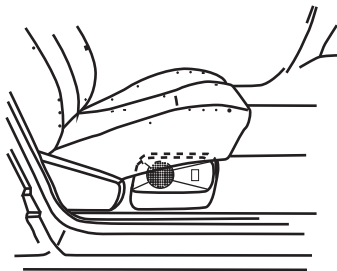
### Technical Specifications

- Maximum output power 160W(80W x 2)
- Rated power 100W(50W x 2)
- Output impedance  $2\Omega+2\Omega$
- Crossover Frequency 50~100Hz
- S/N(A) >60dB
- Maximum Current Consumption 10A
- Sensitivity(Distortion level 1%) RCA input 82mV  
Speaker input 0.8V
- Source Voltage 14.4V(10V~16V)
- Size 289X220X75mm
- Weight(including accessories) 4.4Kgs

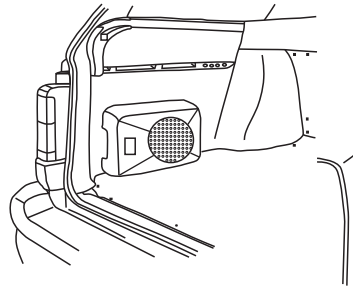
# Suggestion of subwoofer placement



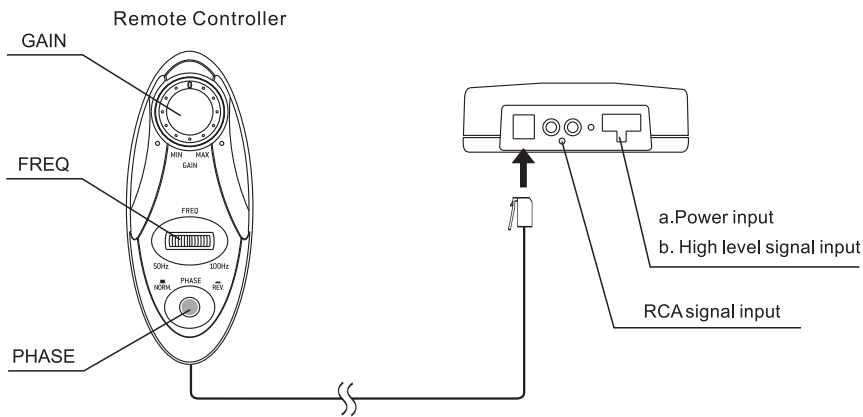
In compartment



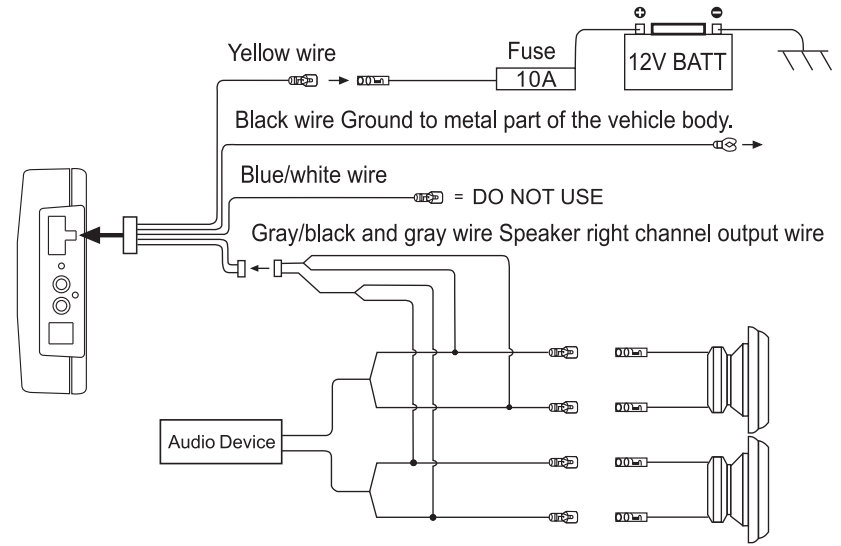
Under the seat



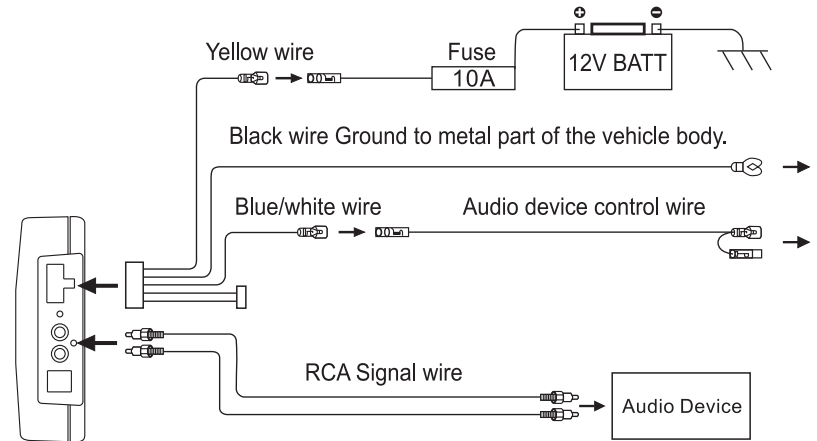
In trunk



Functions Controlling Diagram



Wiring Diagram1 (High level input)



Wiring Diagram2 (Low level RCA input)