

Owners Manual



FM USB / BT Digital Player



MODEL: GMA151BT

Please read through the manual before using the unit

www.gascaraudio.com

Note on installation

The unit is designed for 12V DC, negative ground operation system only

Before installing the unit.

Make sure your vehicle is connected to DC 12V negative ground electrical system.

The negative battery terminal must be disconnected before making connections, which can reduce the damaging the unit due to short circuit.

Be sure to connect the color coded leads correctly according to the diagram. Incorrect connections may cause the unit malfunction or damage the vehicle's electrical system.

Be sure to connect the speaker leads to the speaker terminals. Never connect the left and right channel speaker cables to each other or to the vehicle body.

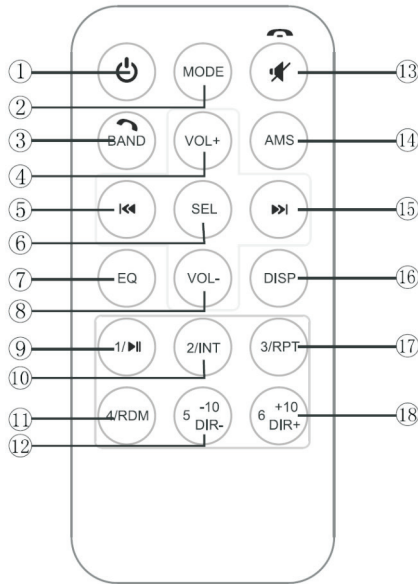
Do not block vents or radiator panels. Blocking them will cause heat to build up inside and may result in fire.

After the completion, of the installation and begin to play the unit(including replacing the battery), please press the reset button on the front panel with a pointed object (such as ball-point pen) to set the unit to initial status.

Specifications of common keys

⏸	Play/pause
⏮⏭	Prev/next(radio Selection And Track Selection)
MODE/	Power On/off Control/mode
LOC	Radio Far And Near Path Selection
MUTE 	Mute the sound or hang up
IR	Remote Control Receiver
AUX	This Jack Is For The Out Side Audio Input
EQ	Sound Field/automatic Preset Station
CLK	Clock Function
 BAND	Radio Band Selection(short press) Long press means answer the phone
AMS	Auto Scan And Auto Store
INT	To Play The First 10 Seconds Of Each Track
RDM	Random Play
RESET/RES	Reset The System
RPT	Repeating The Same Track
LOUD	Loudness
1/2/3/4/5/6	Number Buttons

Location of the remote control



1.Power

2.Mode switch

3.Band switch

Receive/playback(for bluetooth)

4.Volume+

5.Previous track

6.SEL button

7.EQ switch

8.Volume-

9.Track 1 / Play/Pause

10.Track 2 /INT Playing

11.Track 4 / radom playing

12.Track 5 / -10

13.Mute button

Disconnect button(for bluetooth)

14.AMS button

15.Next track

16.Display

17.Track 3 / repeat playing

18.Track 6 / +10

Basic Operation

Power On/Off/Mode

- 1.Preset (POWER) button to turn on the unit,and press power for 3 seconds to turn off the unit
2. Press [power/mode]smoothly to turn on the unit ,and the press again to change the function :Radio→Playback→AUX-IN

Aux In Operation

Press MODE button to enter into AUX mode.

U-DISK/SD Card Playback

- 1.Insert U Disk /SD card into USB/SD port ,U disk /SDwill play automatically. Or press MODE button to select if U-dick/SD is loaded.
- 2.Other operations please refer to details of MP3 Playback.

Preset station / AMS

AMS:Automatic Scan /Memory station

Press AMS button to scan /display the memory station by 10 seconds from 1-6 station ,when start AMS function, the frequency flashes continuously until the appropriate station, then play the radio station by press 1-6 number key accordingly.

When press AMS up than 3 seconds, will start the auto memory function, the radio will select the station automatically and store it on the number buttons.

Remark: The machine at most store 6 stations per each frequency, refer to the number button operation to use the number key.

Band selector

Each time this button is pressed, the radio band is changed. The indication "FM1" "FM2" "FM3" will appear on the display according to your selection.

Tuning/Selecting Tracks

• Long press

Manual Tuning : press (+◀◀ or ▶▶-) button continuously to select a station upward or downward respectively.

• Short press

Automatically Tuning : press (+◀◀ or ▶▶-) button the radio automatically searches a station upward or downward respectively and plays when it finds a station.

Basic Operation

Mp3 operation

1. Selecting Track/ F. F/ REW

Press [or] choose your favorite track upward or downward respectively. Press and hold [or] button to fast forward or rewind the track upward or downward respectively.

2. Playing Tracks Repeatedly (By remote control)

Press "RPT" button to perform repeat playing function when you need to repeat playing the track you like. During MP3 version, Press "RPT" button at the first time to repeat playing at the same track. "RPT" appears which indicates repeat playing one track starts. Press "RPT" button again to stop repeat.

3. Scanning Tracks Automatically (By remote control)

During playback, press "INT" button, to play the first 10 seconds of each track on the disc, the display will show " INT" , ON Which indicates INT function is already activated. Press "INT" button once more to revert to normal play back, display will show "INT OFF"

4. Playing Tracks in Random Order (By remote control)

During playback, press "RDM" button, and "RDM" on appears on the display which indicates RDM function is carried out, the unit plays and track at random, Press RDM once more to return to normal the playback mode.

5. Stop playing tracks

During playback, press "STOP" on remote button to stop the playback, LCD will show "STOP" to return to normal play mode, press "PLAY".

Basic Operation

Bluetooth

Firstly open bluetooth from mobilephone and matching with unit, input password: 0000 After matching successful, press "MOD" to enter"Bluetooth"state

Bluetooth mobile phone function

- 1) when there is an incoming call , "calling" appears on the display, you can press BND button to answer a call, it is hand-free state. to end a call, you can just press the "◀" button;
- 2) If you want to make a repeat call, pls long press "BND" button .

Bluetooth Audio player

Operate the bluetooth audio player to start playback on the unit. The basic operations are same with above

MP3 operation: Mutes the sound, reverse skips or forward skips etc.

GAS RC Control App

GAS RC is an application that connects and controls compatible GAS car receivers via Bluetooth like a wireless remote control.

Key features includes Remote Control Function, Receiver Setting and Display Receiver Information.



CAUTION! Do not operate any functions that takes your attention away from safe driving.



Information on disposal of electrical equipment

Items marked with the "Crisscrossed wheeled bin" are not allowed to be disposed of together with usual household waste. These electrical and electronic products should be disposed of in special reception centers, equipped for recycling such products and components. For information about the location of your nearest disposal/recycling spot and the rules of delivery of waste, please contact your local municipal office. Recycling and proper disposal helps to protect the environment and prevent harmful effects on health.



Basic Operation

General

Power requirements : 12V DC
 Load impedance : 4ohm
 Tone controls : +8 dB(bass 10Hz,Treble 10KHz)

Audio section

Maximum output level : 2Vrms
 Frequency response : 20 to 20Khz
 Signal to-noise ratio : 85dB
 Separation : 80dB

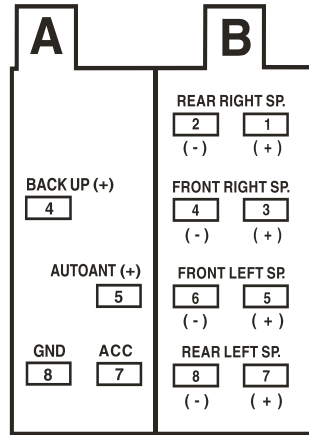
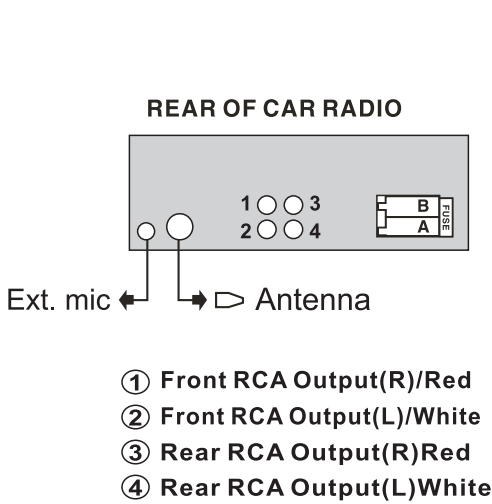
FM Tuner section

Tuning range : 87.5-108
 IF Range : 10.7MHz
 Usable sensitivity [-30dB] : 15 dB
 Usable-to-noise ratio : 60dB
 Stereo separation : 30dB [1 KHz]
 Frequency response : 30~15000Hz

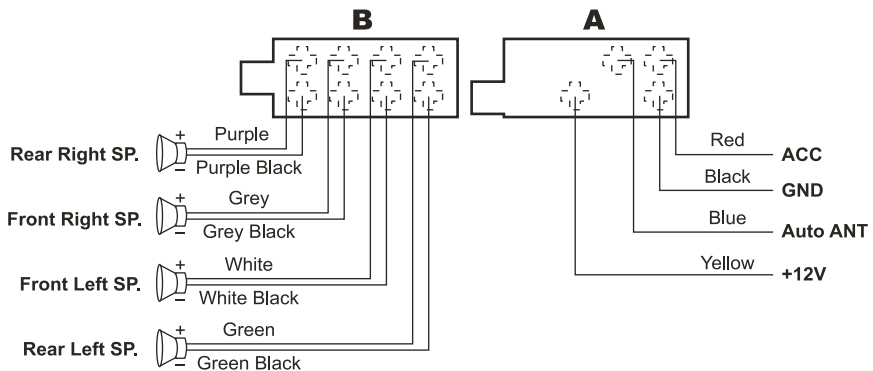
Trouble shooting

Problem	Cause	Action
Unit will not turn on [no power]	Yellow wire not connected or incorrect voltage Red wire not connected or incorrect voltage	Check connections for proper voltage (12V DC)
	Black wire not connected	Check connection to ground
	Fuse blown	Replace fuse
Unit has power [but no sound]	Speaker wires not connected	Check connections at speakers
	One or more speaker wires touching each other or touching chassis ground	Insulate all bare speaker wires from each other and chassis ground
Unit blows fuses	Yellow or red wire touching chassis ground	Check for pinched wire
	Speaker wires touching chassis ground	Check for pinched wire
	Incorrect fuse rating	Use fuse with correct rating
Excessive skipping	Unit is not mounted correctly or back strap is not secure	Check mounting sleeve and back strap support

Wiring diagram



STANDARD CONNECT



Safety information

Safety notes

The car audio system was manufactured according to recommended and established safety guidelines in a state of the art facility. Even so, dangers may occur if you do not observe the safety notes in these instructions.

These instructions are intended to familiarize you with the most important functions. Detailed familiarization information can be found by contact dealer.

- ⚡ Read these instructions carefully and completely before using the car audio system.
- ⚡ Keep the instructions at a location so that they are always accessible to all users.

In addition, observe the instructions of the devices used in conjunction with this car audio system.

Road safety

Observe the following notes about road safety:

⚡ **Use your device in such a way that you can always safely control your vehicle.** In case of doubt, stop at a suitable location and operate your device while the vehicle is parked. As the driver, you may not use the applications that will distract you from traffic (depending on the scope of functions of the device, e.g. viewing videos etc)

⚡ **Follow driving recommendations during the route guidance only if you are not violating any traffic regulations!** Traffic signs and traffic regulations have always priority over driving recommendations.

⚡ **Always listen at a moderate volume** to protect your hearing and to be able to hear warning signals (e.g. police sirens). During mute phases (e.g. when changing the audio source), changing the volume is not advisable. Do not increase the volume during this mute phase.

General safety notes

Observe the following note to protect yourself against injuries:

Do not modify or open the device.

Use as directed

This car audio system is intended for installation and operation in a vehicle with 12V vehicle system voltage and must be installed in a 2DIN slot. Observe the output limits of the device. Repairs and installation, if necessary, should be performed by a specialist.

Installation instructions

You may only install the car audio system yourself if you are experienced in installing car audio systems and are very familiar with the electrical system of the vehicle. For this purpose, observe the connection diagram at the end of these instructions.

Declaration of conformity

We declare that the device complies with the basic requirements and the other relevant regulations of the RED Directive 2014/53/EU.

Cleaning notes

Solvents, cleaning and scouring agents as well as dashboard spray and plastics care products may contain ingredients that will damage the surface & screen of the audio system.

Use only a dry or slightly moistened cloth for cleaning the car audio system.

Warning

The remote control is supplied with a coin/button cell battery. If this button is swallowed, it can cause severe internal burns & can lead to death in 2 hours.

Keep new & used batteries away from children.

If the battery compartment does not close securely, stop using the product & keep it away from children.

If you think batteries might have been swallowed or placed inside any part of the body, seek immediate medical attention.