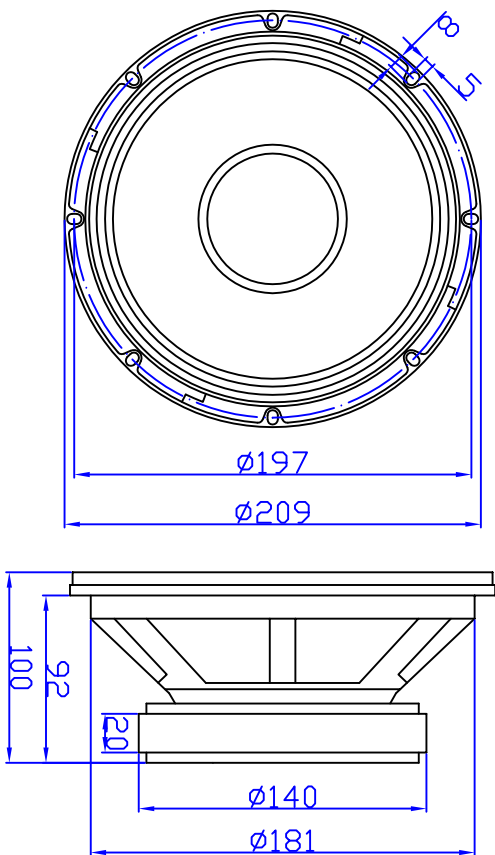




# 8" Professional High Power Midbass Driver 8 Ohm

MB820-8



## PARAMETERS

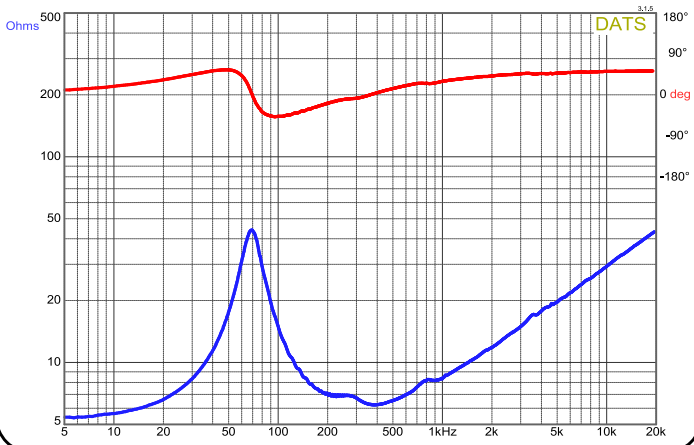
Impedance	8 ohms
Re	5.26 ohms
Le	1.04 mH @ 1kHz
Fs	69 Hz
Qms	3.83
Qes	0.52
Qts	0.46
Mms	20.9 g
Cms	0.252 mm/N
Sd	211.24 cm <sup>2</sup>
Vd	84 cc
BL	9.60 Tm
Vas	15.77 liters
*Xmax	4.0 mm
Magnetic Gap Height	8 mm
VC Winding Height	16 mm
VC Diameter	2"
Magnet Weight	38 oz
SPL	94 dB @ 2.83V/1m
RMS Power Handling	200 watts
Usable Frequency Range	100Hz-7.5kHz

$$* X_{max} = \left[ \frac{\text{Voice Coil Winding Height} - \text{Magnetic Gap Height}}{2} \right]$$

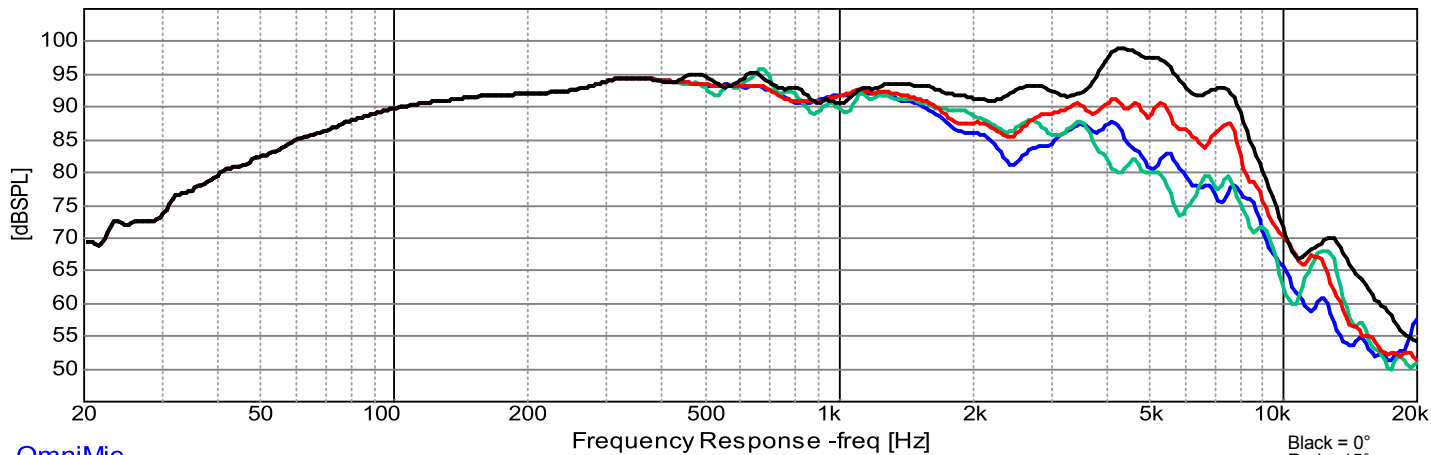
## FEATURES

- Great value for performance
- High power and high SPL for amazing output
- Paper cone and corrugated cloth surround for clarity and punch
- Versatility for use as a midrange, mid-bass or woofer in professional audio, car audio, home hi-fi, musical instrument applications, and maybe even more
- Large ferrite motors for high motor strength

## IMPEDANCE/PHASE



## FREQUENCY RESPONSE



OmniMic

Note: 1/12<sup>th</sup> octave smoothing - nearfield response included in graph below 450 Hz

Black = 0°  
Red = 15°  
Green = 30°  
Blue = 45°