

Amplifier Settings (If Enabled)

Feature Name	Use the graphic user interface to change amplifier settings.
Fade & Balance	Adjust the fade and balance by moving the focal point.
Tone	Adjust the tones by moving the slider.
Volume	Adjust the volume by moving the slider.

Language Selection

Feature Name	Option 1	Option 2	Option 3	Option 4	Option 5	Option 6	Option 7
Language	Français	English	Español				

Version

Version	MCU: ADP213 Honda 10th Gen V1.05 Resource: Honda 10th Gen V1.03 Font Data
----------------	---

INSTALLER MENU

Use the charts below to help navigate through the different settings the *Installer Menu* has to offer. Please note that the features listed are only available if the vehicle is equipped with the feature. Read the charts below to familiarize yourself with the different settings available with the ITCHA02B kit. To activate the installer menu tap on the Scosche Logo (5x's) on the climate controls screen, see page 9 Figure 16, number 7 for more details.

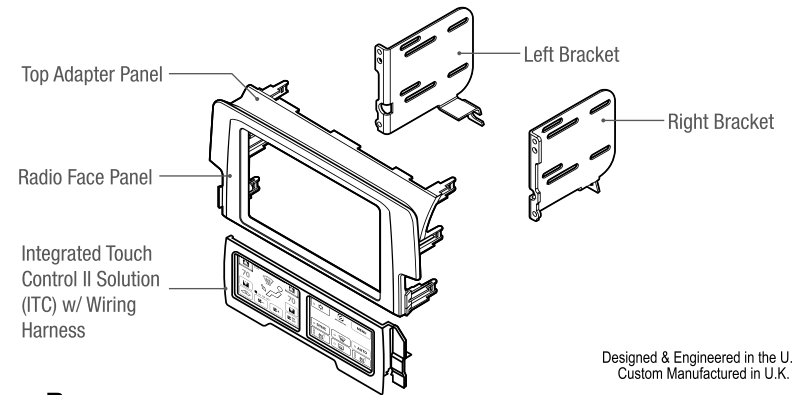
Installer Menu (When enabled)

Feature Name	Option 1	Option 2	Option 3	Option 4	Option 5	Option 6	Option 7
Driver Position	Left	Right	Select left hand or right hand driving position.				
Amplifier	Yes	No	Select Yes if Amp interface is fitted.				
Amplifier turn on delay	0-20 Sec.	Option when amplifier is Yes. Delay before amplifier is turned on after radio is turned on.					
Rear Camera	Yes	No	Select YES if a rear camera is fitted.				
Lane Watch Camera	Yes	No	Option when rear camera is Yes. Select Yes if lane watch camera is fitted.				
Front Camera	Yes	No	Option when rear camera is Yes. Select Yes if front camera is fitted. (camera icon is enable on button touch screen)				
Camera Delay	0-900 msecs.	Option when rear camera is Yes. Adjust to provide smooth switching between cameras					
Diagnostics	Displays live information of the system activity.						

TECH SUPPORT

If you have any questions or need technical assistance with the installation, or the most current application please call or visit us on the web at:
(800) 363-4490 x1 | www.scosche.com/contact

IN-DASH INSTALLATION KIT FOR 2016-UP HONDA CIVIC VEHICLES



Designed & Engineered in the U.K.
Custom Manufactured in U.K.

TOOLS REQUIRED

- PRT (Panel Removal Tool)
- Screwdriver

NOTICE:
Extremely high temperatures may temporarily affect the display. Normal operation will resume once the unit cools.

INTRODUCTION / PRELIMINARY

This premium installation kit is for 2016-Up Honda Civic vehicles and is designed to accommodate most aftermarket radio installations. Included are all the parts you need to mount your car stereo or CD player into your vehicle's dash. Refer to individual instruction in this manual to remove your vehicle's factory radio and assemble the kit. The ITCHA02B kit retains the following features, **if equipped**:

- Amplified Systems
- Cross Traffic Monitor
- Heated Seats
- Lane Watch Camera
- Parking Sensor
- Remote Lock
- Reverse Backup Camera
- Steering Wheel Controls
- Time and Date Settings
- Unlocking & Starting

CAUTION: DISCONNECT YOUR VEHICLE NEGATIVE BATTERY TERMINAL BEFORE THE INSTALLATION TO HELP PREVENT ELECTRICAL DAMAGE. WE RECOMMEND THE USE OF A VOLT/OHM METER OVER A TEST LIGHT TO CHECK WIRING. A TEST LIGHT OR GROUNDED WIRE PROBE CAN CAUSE DAMAGE TO THE VEHICLE'S COMPUTER AND/OR DIAGNOSTIC SYSTEMS. AVOID ALL FACTORY AIRBAG WIRING - AIRBAGS CAN ACCIDENTALLY DEPLOY CAUSING SERIOUS INJURY OR DEATH.

NOTES

- See your vehicle's instructions for any special tools your installation might require.
- Read all instructions accompanying your car stereo for proper wiring and mounting instructions.



IMPORTANT!

DO NOT RETURN PRODUCT TO THE RETAILER
IF YOU NEED ASSISTANCE OR REPLACEMENT PARTS CALL US TOLL FREE: 1-800-363-4490 X1
HOURS: MON-FRI 8AM-5:30PM (PST) SATURDAY 8AM-2PM (PST)

LIABILITY DISCLAIMER

This instruction booklet is based on carefully documented data and research of automobile disassembly, wire harness/ codes and information pertaining to the installation of this kit. Scosche Industries, Inc. cannot be held responsible for discrepancies/ inconsistencies that may occur due to the automobile manufacturing changes or options, or damages that may occur in the automobile during the installation of components while using this booklet.

If you have any further questions, call our toll free technical help line: **1-800-363-4490 x1** or visit us online at www.scosche.com/contact

Step 1 2016-Up Civic Disassembly

Using a Panel Removal Tool remove the two side trim panels on the center console next to the shifter, see image.

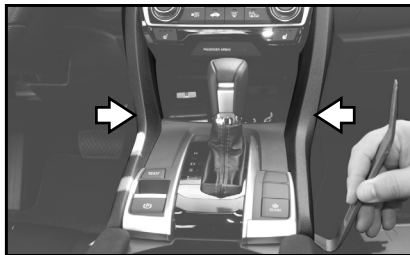


Figure 1

Step 2 2016-Up Civic Disassembly

Using a panel removal tool unsnap the passenger airbag/climate control module from the dash, then unplug and remove.



Fig. 2

Step 3 2016-Up Civic Disassembly

Unscrew (2) 10mm screws exposed securing the radio to the dash see image on right.

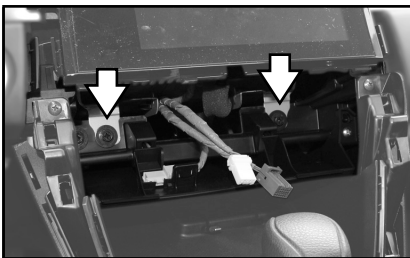


Fig. 3

Step 4 2016-Up Civic Disassembly

First, unclip the two clips below the radio securing harness connections. Second, unplug the connections from the back of the OEM Radio. Third, remove the radio from location.



Fig. 4

CONFIGURATION MENU CHARTS

Use the configuration charts below to help navigate through the different settings the *Menu* touch screen display has to offer. Read the charts below to familiarize yourself with the different setting options available with the ITCHA02B kit.

VEHICLE SETTINGS							
Feature Name	Option 1	Option 2	Option 3	Option 4	Option 5	Option 6	Option 7
Time Date	Hours	Min.	Year	Month	Day	Time Set Format	Set Date Format
	00—23	00—59	2000—2099	1—12	1—31	12HR 24HR	DD.MM.YYY MM.DDD.YY YYYY.MM.DD
OEM FEATURES	See vehicle manual for details.						
Installer Menu	Displayed when enabled, see <i>Figure 16</i> number 7 on page 9.						

ITC SETTINGS							
Feature Name	Option 1	Option 2	Option 3	Option 4	Option 5	Option 6	Option 7
Picture Settings	Brightness Day	0—100%					
	Brightness Night	0—100%					
	Day / Night / Automatic	Day	Night	Automatic			

Preferences (ITC Settings)							
Feature Name	Option 1	Option 2	Option 3	Option 4	Option 5	Option 6	Option 7
Lane watch Disp. Time after turn signal off	0—7 Seconds		Seconds before lane watch camera is turned off after turn signal is turned off.				
Volume			0-100% Volume of beep when screen is touched				
Restore Factory Settings	Yes	No	Confirmation to restore factory defaults				

Radio Type (ITC Settings)							
Feature Name	Option 1	Option 2	Option 3	Option 4	Option 5	Option 6	Option 7
List of Supported Radios	Alpine	Chinese	Clarion	JVC	Kenwood	Philips	Pioneer
	Option 8 Sony	Select radio type that is connected (tick shows which type is selected).					

MENU Press the MENU button (Page 9, #8) to access **Configuration Menu Vehicle/ITC Settings/Language/Version** settings.

The following figures (A-C) are sample menu screen displays to help you navigate and understand the menu user interface of the module. Use the ← (Return arrow) to go back to the previous menu. Press the X to close the menu window and return to the TFT color touch screen home screen. For a detail look into the available settings please refer to the charts on pages 11 and 12.

Figure 17
Navigation of Menu Settings

1. Return to Previous menu
2. Enter **Vehicle Settings** menu
3. Enter **ITC Settings** menu
4. Enter **Language** selection menu
5. Enter module **Version** menu
6. Menu title header
7. Close menu settings
8. Arrow indicates more sub-menus for selected setting

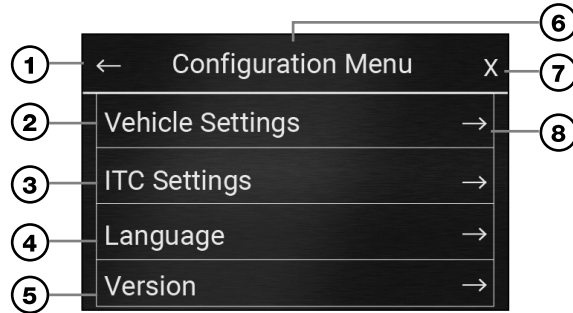


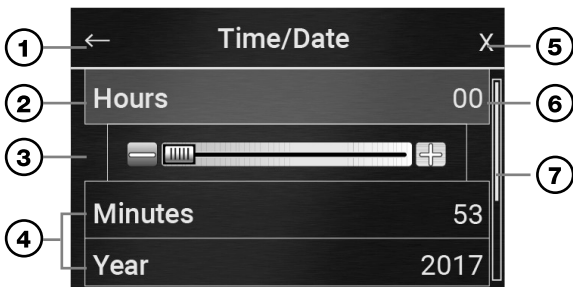
Figure 18
Sub-menu Settings

1. Return to Previous menu
2. Sub-menu configuration options
3. Sub-menu title header display
4. Close menu
5. Scroll bar [Scroll Up/Down for more options (Only when displayed)]



Figure 19
Configure Settings for Options

1. Return to previous menu
2. Setting highlighted when selected.
3. Setting Scroll bar (Use to customize setting)
4. Options not selected (Press to select)
5. Close menu
6. Set setting (Use slide bar to customize setting)
7. Scroll bar (when available)



Step 5 2016-Up Civic Assembly

Using the provided (4) screws mount the provided top trim panel to the back of the HA2157B face panel.

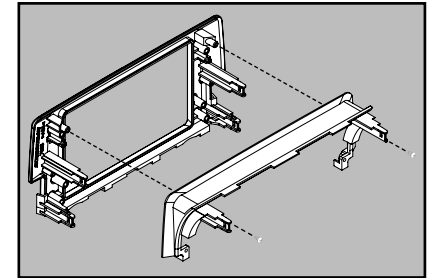


Fig 5

Step 6A 2016-Up Civic Assembly

Double Din Assembly

Next, assemble both left and right brackets to the back of the face panel assembly with the (4) bracket screws provided with the kit.

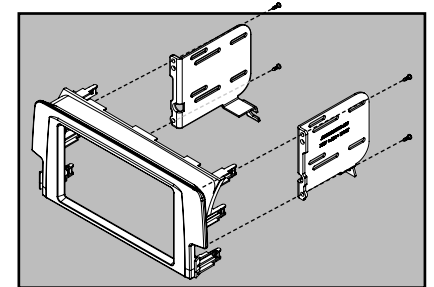


Fig 6A

Step 6B

Single Din Installations Only

For single din installations, align provided pocket to the back of the aftermarket radio face panel. Once the pocket is aligned, secure it using the two mounting screws provided.

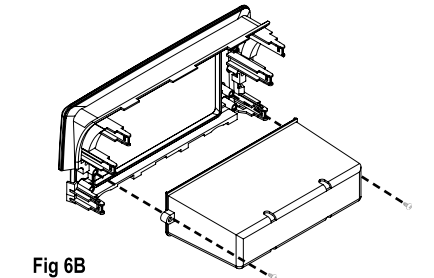


Fig 6B

Step 6C

Single Din Assembly

Next, assemble both left and right brackets to the back of the face panel/pocket assembly with the (4) bracket screws provided with the kit.

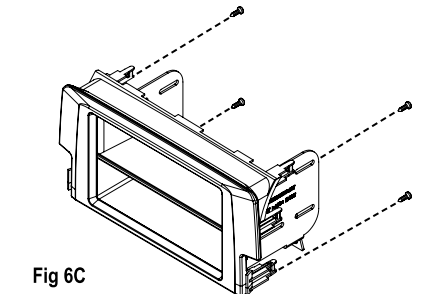


Fig 6C

Step 7A 2016-Up Civic Assembly

Double Din Assembly

Slide the double DIN radio through the backside of the panel assembly, align and screw into place.

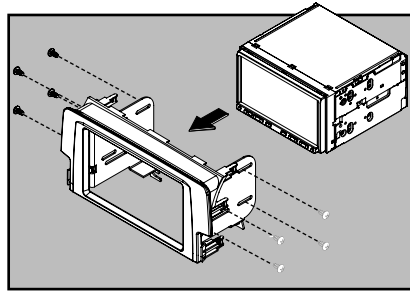


Fig 7A

Step 7B

Single Din Installations Only

Slide the DIN radio through the backside of the panel assembly, align and screw into place.

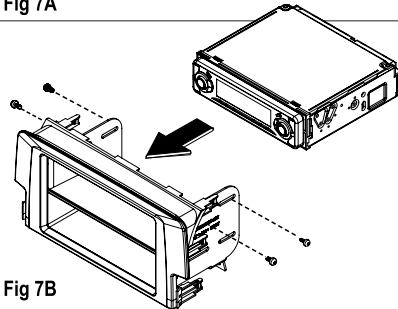


Fig 7B

COLOR CODES

White=	Left Front Positive (LF+)	Gray=	Right Front Positive (RF+)
White/Black=	Left Front Negative (LF-)	Gray/Black=	Right Front Negative (RF-)
Green=	Left Rear Positive (LR+)	Violet=	Right Rear Positive (RR+)
Green/Black=	Left Rear Negative (LR-)	Violet/Black=	Right Rear Negative (RR-)
Black=	Chassis Ground	Orange=	Illumination
Yellow=	+12V Constant Power		
Red=	+12V Accessory		
Blue=	+12V Power Antenna (Remote Out)		

WIRING DIAGRAM

KEY

WIRING DIAGRAM KEY

Use the charts below to help guide you through the wiring diagram fig. 9 on page 5. For assistance or questions about your installation, contact us at: 1-800-363-4490 x1 or visit us online at www.scosche.com/contact.

Figure 8, Key to wiring diagram

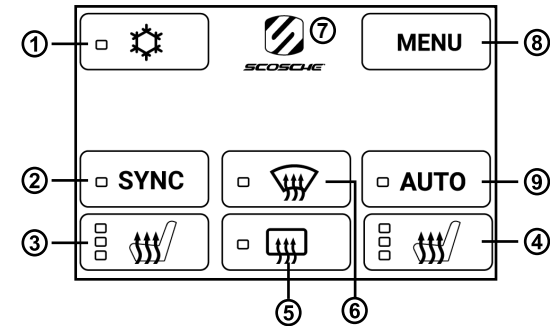
A	To OEM Antenna Connector	F	Yellow Phono = To Head Unit
B	Wire labelled 'Camera' Connect wires from UAC harness and camera harness	G	Color Codes (Above)
C	Brown = Key 1 Gray = Key 2 Black = GND	H	Color Codes (Page 5) Single 8-way ISO for amplified Vehicles (Replaces non amplified speaker option in G).
D	Green = Park Brake Pink = Speed Pulse Purple/White = Reverse Gear	NOTE: See page 6 for further details on the SWC (Steering Wheel Control), Amplified Antenna, Amplified Antenna Bypass diagrams.	
E	3.5MM = To Head Unit		

TEMPERATURE CONTROL (Page 8 Fig.15, #1-4)

Use the UP and DOWN arrows (Page 8 Fig. 15, #1-4) on the color TFT touch screen to adjust vehicle air temperature. Touch the Red <Up> arrow to increase air temp. Touch the Blue <Down> arrow to decrease air temp. The temperature indicator will move up or down indicating the current temperature level. The temperature range is color-coded: Red indicates warmer air and Blue indicates cooler air.

RIGHT TOUCH SCREEN BUTTON LAYOUT

Figure 16

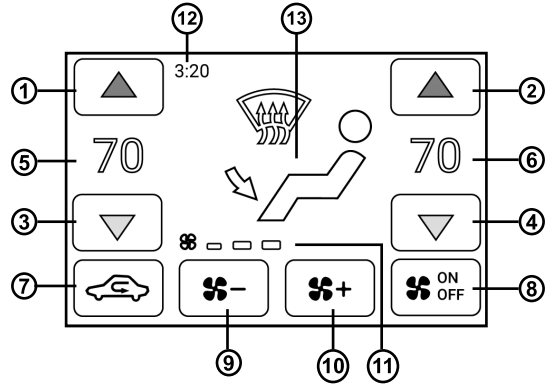


	Press the Air Conditioning Button (Fig. 16, 1) to turn the Air Conditioning On or Off. A light will illuminate in the button indicating the on/off status of the A/C.
SYNC	Press the Sync button (Fig. 16, #2) on the touchscreen to toggle the Sync feature On/Off. Sync indicator light will illuminated when this feature is enabled. Use Sync to synchronize the passenger temperature setting with the driver temperature setting. Changing the passenger temperature setting while in Sync will disable feature this feature
	DRIVER HEATED SEATS (If Equipped) Touch the driver's seat heater button (Fig. 16, #3) on the color TFT touch screen to toggle through setting. The engine must be running to use heated seats. Graphic lights will illuminate indicating set heat setting, cycle through Low/Medium/High/Off settings.
	PASSENGER HEATED SEATS (If Equipped) Touch the passenger's seat heater button (Fig. 16, #4) on the color TFT touch screen to turn on the Passenger's seat heater. The engine must be running to use heated seats. Graphic lights will illuminate indicating set heat setting, cycle through Low/Medium/High/Off settings.
	Press the Rear window defrost button (Fig. 16, #5) to turn the rear window defogger on or off. A light will illuminate in the button indicating the on/off status of the Defrost mode. Rear defogger will also be turned off by turning the ignition to the OFF position.
	Press the Front Defrost (Fig. 16, #6) to turn Defrost On or Off. This configuration helps clear front windshield of fog or moisture. Air will be directed to the windshield. A light will illuminate in the button indicating the on/off status of the Defrost mode. NOTE: For best results clear the windows of snow or ice before defrost settings. DO NOT OPERATE VEHICLE UNTIL WINDOWS ARE CLEAR!
	Scosche logo display, tap 5x rapidly to activate installer menu option in the vehicle settings menu. Reference chart on page 12 for details on the Installer Menu (Fig. 16, #7) .
MENU	8. MENU allows the user to configure Vehicle (Installer Menu) / ITC / Language settings and view the modules version for technical reference (Fig. 16, #8). Refer to Charts on pages 11 and 12 for further details on configuration options.
AUTO	9. Automatically controls the interior temperature of the vehicles interior by adjusting airflow distribution and amount. Performing this function will cause the system to switch between manual mode and automatic modes (Fig. 16, #9).

The Scosche Interface Touch Screen (ITC) replaces the Factory climate, convenience and personalization controls built into the factory Honda radio/dash panel. This solution provides improved ergonomics while adding touch screen capabilities unique to this system. Read the following sections to familiarize yourself with the operating controls and settings.

LEFT TOUCH SCREEN BUTTON LAYOUT

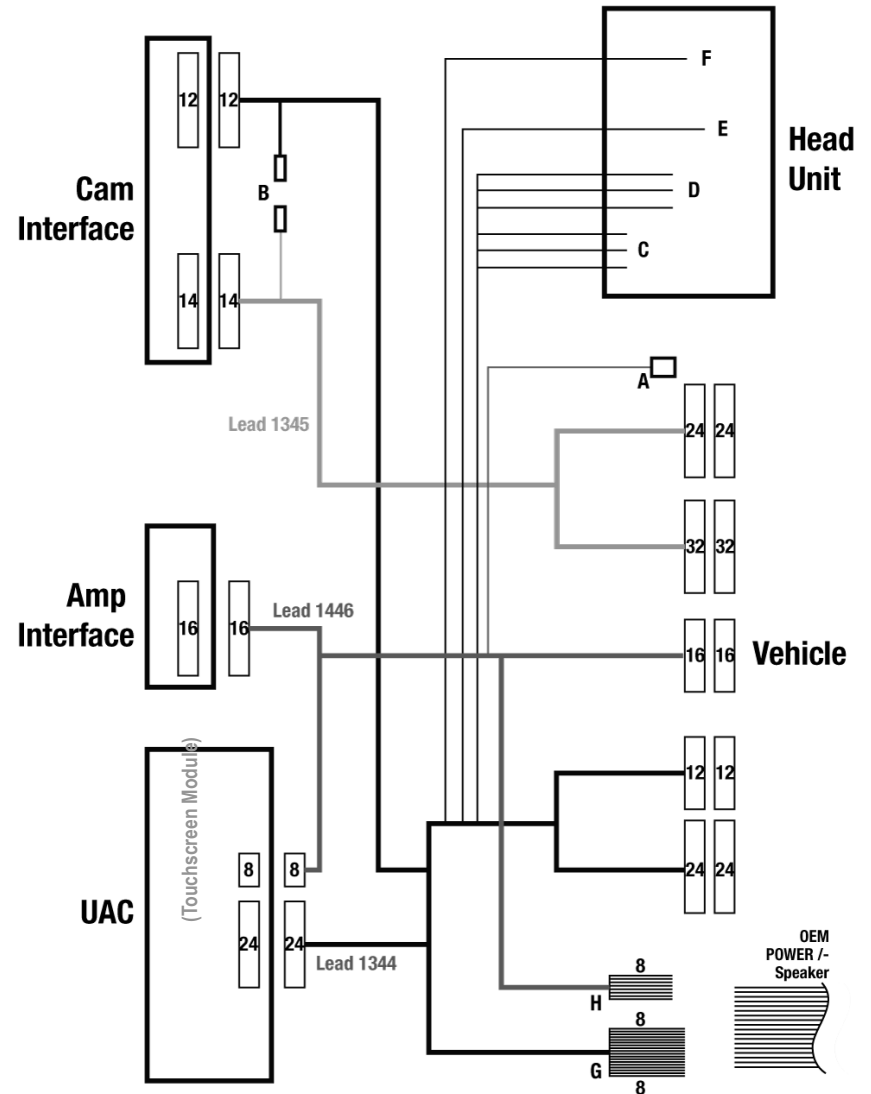
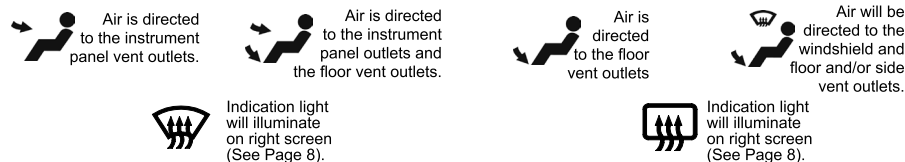
Figure 15



	Use the UP and DOWN arrows (Fig. 15, #'s 1, 2, 3, & 4) on the color TFT touch screen to adjust vehicle air temperature. Touch the Red <Up> arrow to increase air temp. Touch the Blue <Down> arrow to decrease air temp. Temperature reading will display numeric temperature selected, indicating the current temperature level. The temperature range is color-coded: Red indicates warmer air and Blue indicates cooler air. Individually adjust driver / passenger or SYNC them (See page 9; #2).
°F / °C	Convenient reading of outside temperature. Enter menu settings to configure Celsius or Fahrenheit (Fig. 15, #'s 5 and 6).
	Press the recirculation button (Fig. 15, #7) to turn on air recirculation. A light will illuminate in the button indicating the on/off status of the Recirculate mode. Interior air will be re-circulated inside the vehicle. This mode helps to quickly cool the air inside the vehicle or prevent outside air and odors from entering. Operating recirculation mode [while the A/C is off] increases humidity and may cause the windows to fog. Recirculation is not available in the Defrost or Defog modes.
	Toggle fan On/Off (Fig. 15, #8).
	To decrease fan speed, press the fan speed DOWN button (Fig. 15, #9). A graphic level indicator will move down on the color TFT screen indicating the current fan speed (Fig. 15, #11).
	To increase fan speed, press the fan speed UP button (Fig. 15, #10). A graphic level indicator will move up on the color TFT screen indicating the current fan speed (Fig. 15, #11).
Time	Digitally displays time, enter Menu settings to configure time format (12HR/24HR). Tap the displayed time on the screen to enable date window displaying for 3sec (Fig. 15, #12).

AIR FLOW / VENT CONTROL

Touch the vent control mode icons (Fig. 15, #13) on the color TFT touch screen to select vent mode. Graphics are displayed according to the selected vent and airflow pattern.



WIRING CONNECTION NOTES:

- Camera interface is only required if the vehicle has an OEM camera. Camera must also be configured in **INSTALLER MENU**.
- Lead 1345 is not required if camera interface is not fitted.
- Amp interface is only required if the vehicle is OEM amplified. Amplifier must also be configured in **INSTALLER MENU**. Preferences for *Fade/Balance/Tone* can be set in **PREFERENCE MENU**.
- Lead 1446 is not required if the AMP interface is not fitted.

Figure 10 **SWC CONNECTIONS**

STEREO BRAND	CONNECTION TO STEREO
ALPINE	3.5MM
CLARION	3.5MM
JVC	3.5MM OR BROWN (KEY 1)
KENWOOD	BROWN (KEY 1)
PANASONIC	BROWN (KEY 1)
PIONEER / SONY	3.5MM
OTHER BRANDS	BROWN, GRAY, BLACK

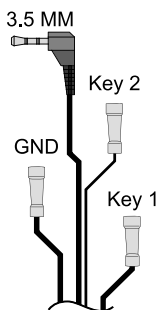
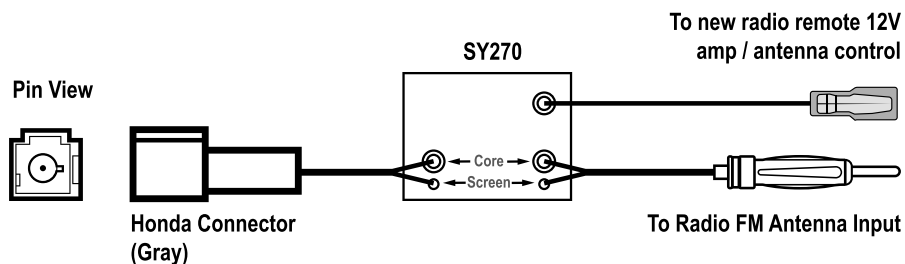


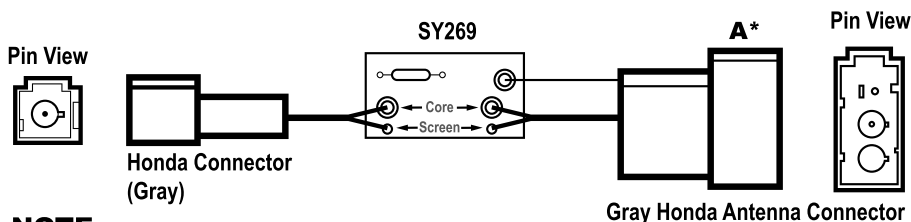
Figure 11 **AMPLIFIED ANTENNA**



NOTE:

- To fit the back of the radio in the dash area

Figure 12 **AMPLIFIED ANTENNA BYPASS**



NOTE:

- This connection bypasses the OEM antenna amplifier and connects at either end of the OEM board to the designated connectors.
- To fit the back of car (Near the rear passenger seat under the plastics).
- * Refer to diagram on page 4 for connection reference.

TECH SUPPORT

If you have any questions or need technical assistance with the installation, or the most current application please call or visit us on the web at:
(800) 363-4490 x1 | www.scosche.com/contact

STEERING WHEEL CONTROL *BUTTON FUNCTIONS*

The Scosche ITCHA02 face panel is equipped with steering wheel control wires that will retain the vehicles OEM steering wheel capabilities when equipped. Refer to the SWC chart above for a connection guide. For further or more detailed understanding of the steering wheel controls, please refer to your vehicle's owner manual for button functionalities.

Figure 13

Button Layout 1 (Civic models w/ driver Info Interface)

1. Change Presets, Tracks, Albums, or Folders; Right
2. Toggle Up Through Audio Modes, or infotainment settings
3. Change Presets, Tracks, Albums, or Folders; Left
4. Toggle Down Through Audio Modes, or infotainment settings
5. Enter (Confirm Selection)
6. Press Volume Up or Slide to Adjust
7. Press Volume Down or Slide to adjust
8. Toggle Through Infotainment Settings
9. Pick-Up Button
10. Hang-Up/Back Button
11. Talk Button

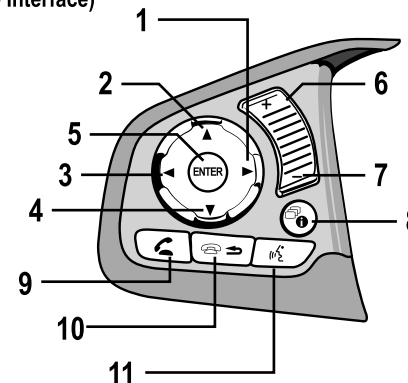


Figure 14

Button Layout 2 (Civic models w/ driver Info Display)

1. Track Right (+)
2. Volume Up (+)
3. Track Back (-)
4. Volume Down (-)
5. Source Button: Cycle through audio modes
6. Pick-Up Button
7. Hang-Up/Back Button
8. Talk Button

