

maximoultra
Car Audio Component Speaker System

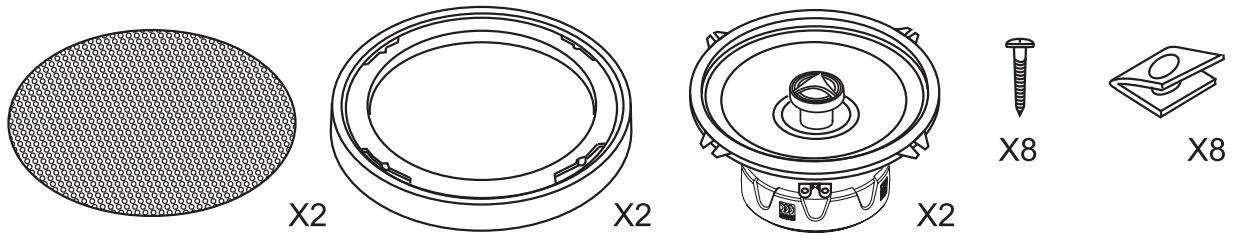
402 COAX
4" Coaxial System

502 COAX
5.25" Coaxial System

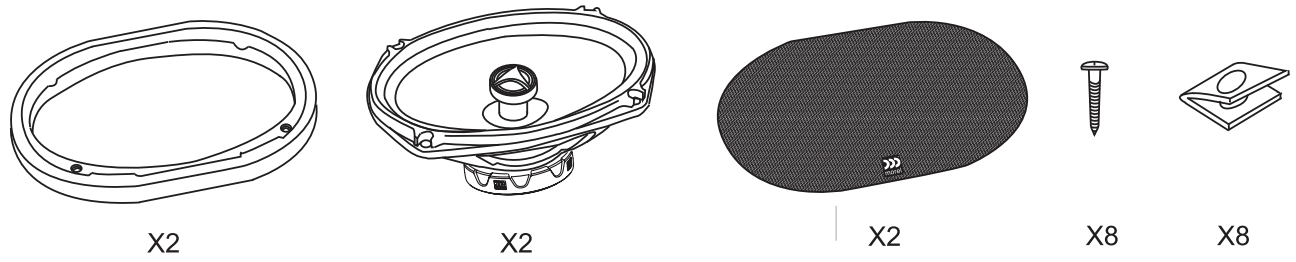
602 COAX
6.5" Coaxial System

692 COAX
6x9" Coaxial System

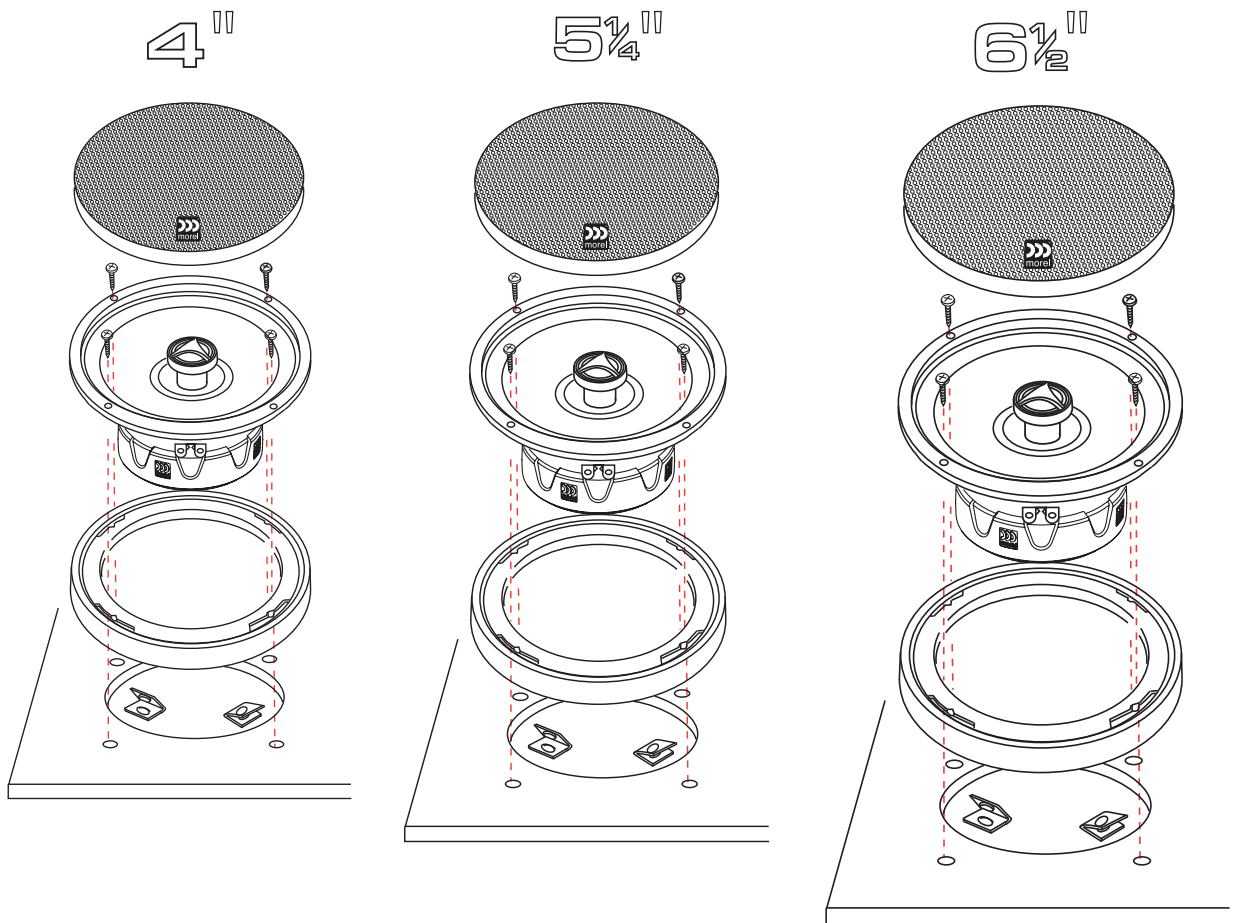
Content - 4" / 5 1/4" / 6 1/2"



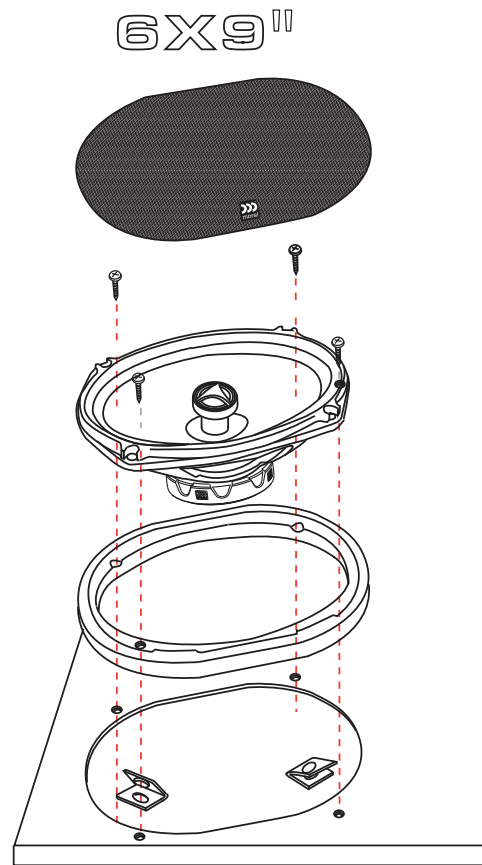
Content - 6x9"



Woofer Mounting



Woofer Mounting



Connection Diagram

Amplifire/Head unit



Specifications

Maximo Ultra Coax		4"	5 1/4"	6 1/2"	6 X 9"
Nominal Impedance		4 ohm	4 ohm	4 ohm	4 ohm
Power Handling		45W	70W	80W	100W
Max. Transient Power Handling		100W	140W	160W	200W
Sensitivity (2.83V/1M)		87.5dB	89.5dB	91dB	92dB
Frequency Response		75-20,000 Hz	55-20,000 Hz	55-20,000 Hz	45-20,000 Hz
Voice Coil Diameter	Woofers:	25mm(1")	25mm(1")	25mm(1")	25mm(1")
	Tweeters:	20mm(0.8")	20mm(0.8")	20mm(0.8")	20mm(0.8")
Voice Coil Wire		Copper	Copper	Copper	Copper
Magnet System	Woofers:	High grade ferrite magnet	High grade ferrite magnet	High grade ferrite magnet	High grade ferrite magnet
	Tweeters:	Neodymium	Neodymium	Neodymium	Neodymium
Mounting Depth		52mm (2.1")	56mm (2.2")	63mm (2.5")	81mm (3.24")

