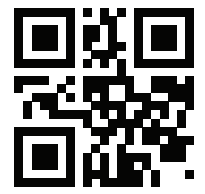


AUDIOPHILE ACOUSTICS



B2[®]

SWEET LIKE DANISH

REF63AA

3 WAY SPEAKER SYSTEM

MODEL: REF63AA

PRODUCT ID: REFS3AA18

WWW.B2AUDIO.COM / WWW.FACEBOOK.COM/B2AUDIO



INTRODUCTION

Ref63AA is the 2nd iteration of our 3 way speaker system. The AA stands for Audiophile Acoustics. A term that describes the performance of your purchase. It's design includes premium materials chosen with only one term in mind; to obtain a sound that will offer a wider linearity with the least amount of equalization. The Ref63AA's frequency response offers multiple installation possibilities. Whether you decide to use it singlehandedly or as a part of a 3.1 system, it's performance will be beyond par.

*It is essential that the Ref 63AA speaker system is given time to allow the suspension to soften up. Also referred to as "Burn In". Depending on use, this may take several weeks. While this process is undergoing, it is not recommended to apply full amplification power according to the speakers specs. Once the "Burn In" has been done, the audio reproduction of the system will be furtherly enhanced

Stay updated on B2 audio, follow us on social media & our website. www.b2audio.com - www.facebook.com/b2audio - www.instagram.com/b2_audio www.youtube.com/b2audio - twitter: @b2_audio



AUDIOPHILE ACOUSTICS

IS THE CORNERSTONE OF B2 AUDIO. IT'S THE PHILOSOPHY OF ADDING SOMETHING UNIQUE. KEEP IN MIND THAT CONTINUOUS EXPOSURE TO SPL ABOVE 100 DB CAN SERIOUSLY DAMAGE YOUR HEARING. TODAY'S HIGH POWER AUTO SOUND SYSTEMS CAN EASILY PRODUCE SPL OVER 140 DB. ENJOY YOUR MUSIC WITH SENSE.

TABLE OF CONTENTS

DESIGN FEATURES	3
THIELE SMALL DATA	3
FREQUENCY RESPONSE DIAGRAM	4-5
INSTALLATION	6



DESIGN FEATURES

Ref 63

Reference Component Speaker System

Midwoofer:	6.5" Composite paper cotton cone, strontium magnet structure
Midrange:	2.75" Coated paper cone, neodymium motor structure
Tweeter:	1.29" Silk dome tweeter, neodymium motor structure
Frequency Response:	50 Hz ~ 25 KHz

Thiele Small data:

Midwoofer

Fs:	55.78 Hz	Re:	3.7 Ω
Qms:	5.1	Z nom:	4 Ω
Qes:	0.95	Voice coil:	1.5"
Qts:	0.8	Rms:	1.63
Vas:	7.7 L	Efficiency:	0.23%
Cms:	307 $\mu\text{m}/\text{N}$	BL:	5.91 TM
Mms:	19.4 g	SPL:	89.3 dB
Power handling:	125 w		

Thiele Small data:

Midrange

Fs:	190 Hz	Re:	4.9 Ω
Qms:	5.04	Z nom:	4 Ω
Qes:	1.29	Voice coil:	1"
Qts:	1.03	BL:	5.9 TM
Vas:	0.1 L	SPL:	81.2 dB
Cms:	81 $\mu\text{m}/\text{N}$		
Mms:	6.9 g		
Power handling:	50 w		

Tweeter data:

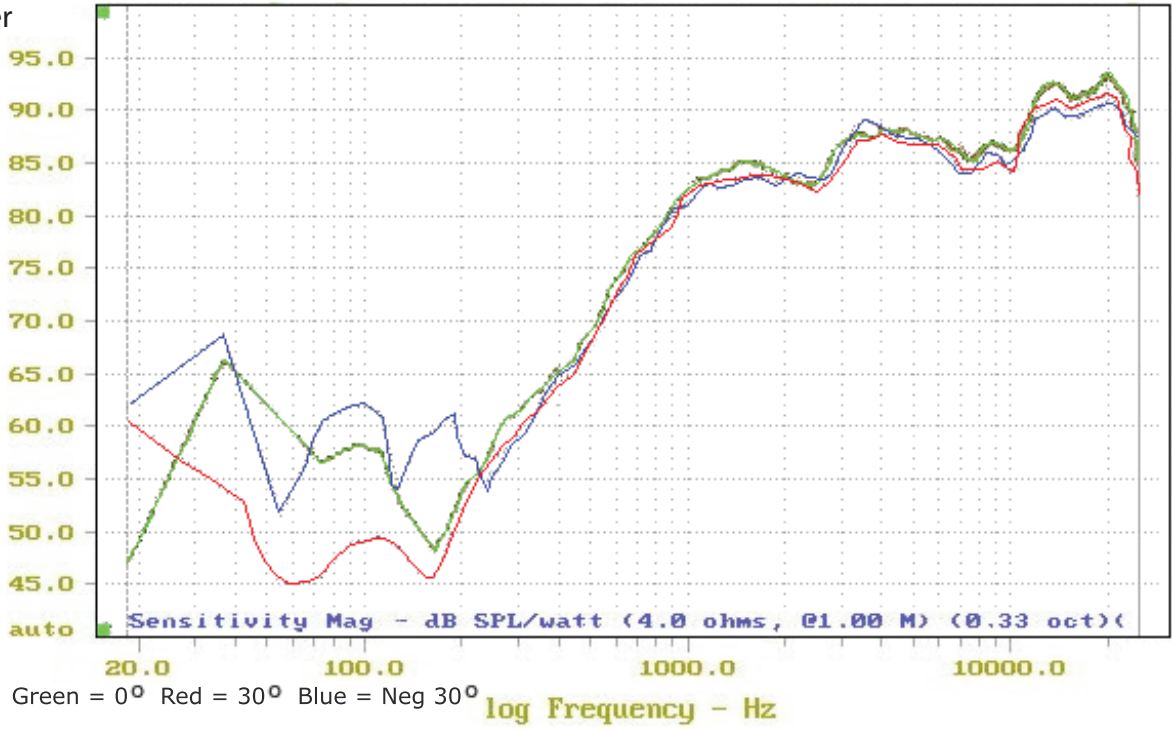
Fs:	1250 Hz	Re:	3.9 Ω
Qms:	0.76	Z nom:	4 Ω
Qes:	2.43	Voice coil:	1"
Qts:	0.58	BL:	6 TM
Vas:	0.001 L	SPL:	84 dB
Cms:	5.7 $\mu\text{m}/\text{N}$		
Mms:	2.8 g		
Power handling:	30 w		

B² audio

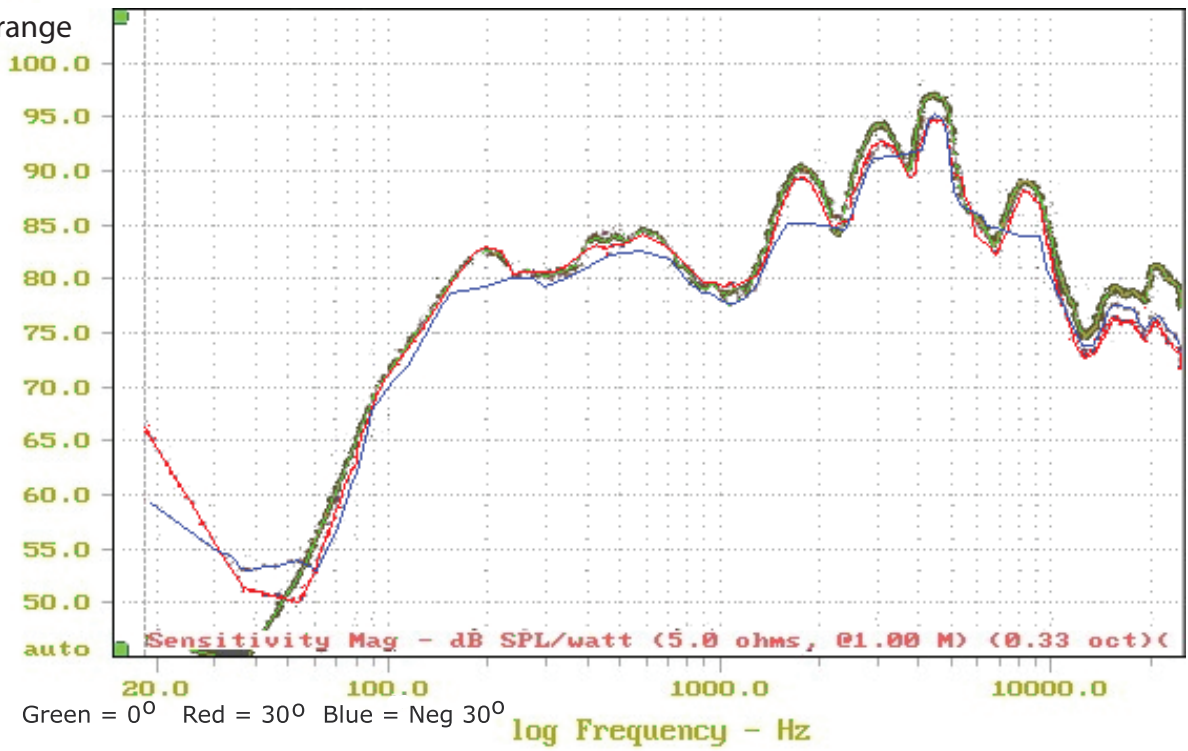
FREQUENCY DIAGRAM

Ref 63

Tweeter



Midrange

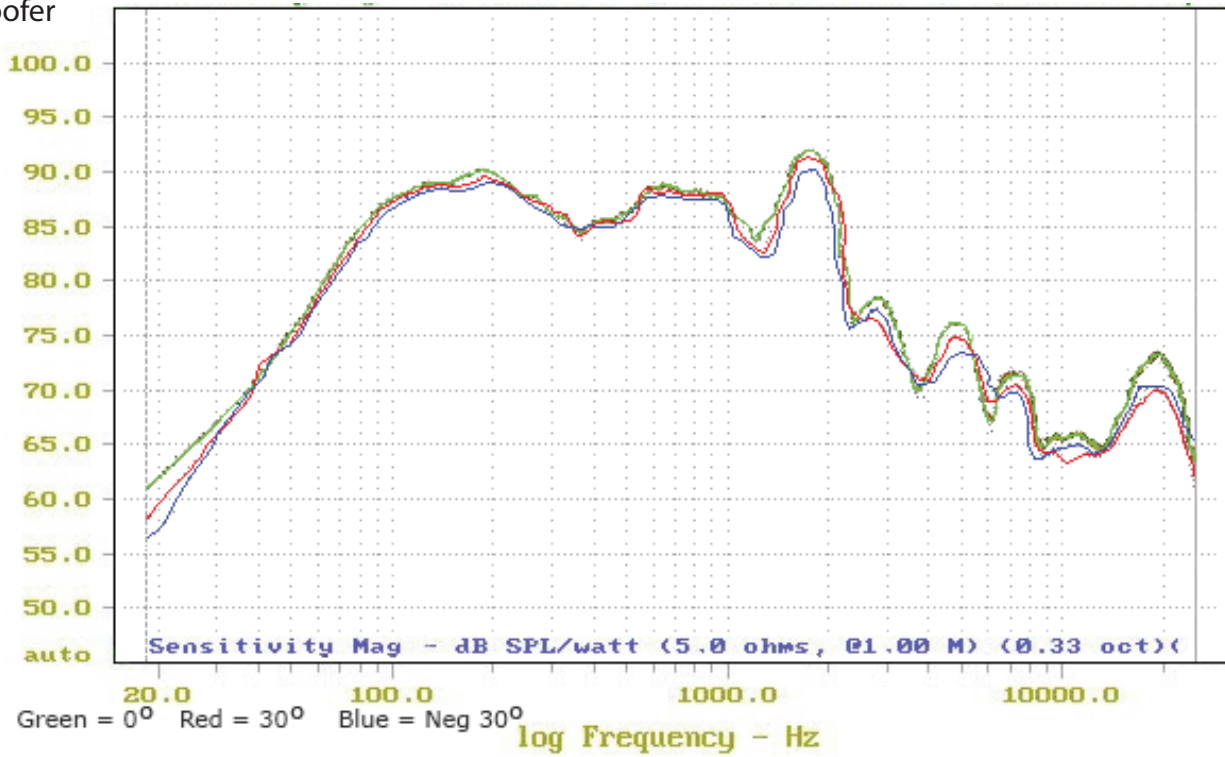


B² audio

FREQUENCY DIAGRAM

Ref 63

Woofer

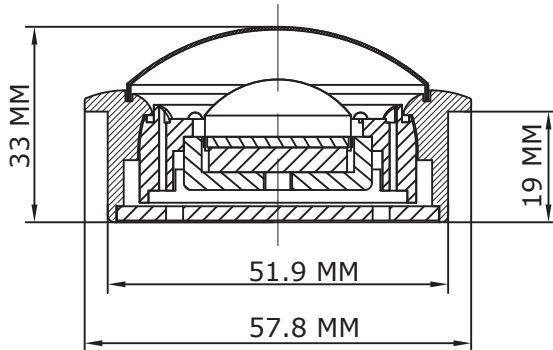


B² audio

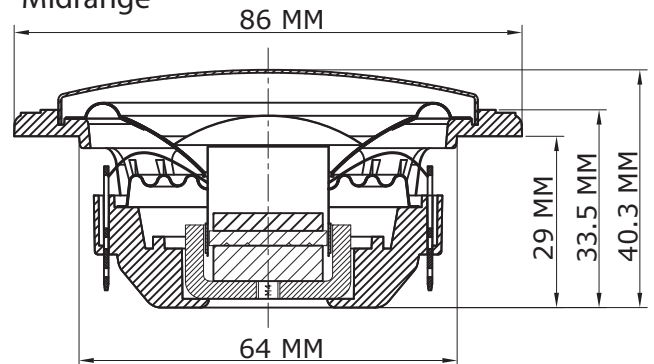
DIMENSIONAL DATA

Ref 63

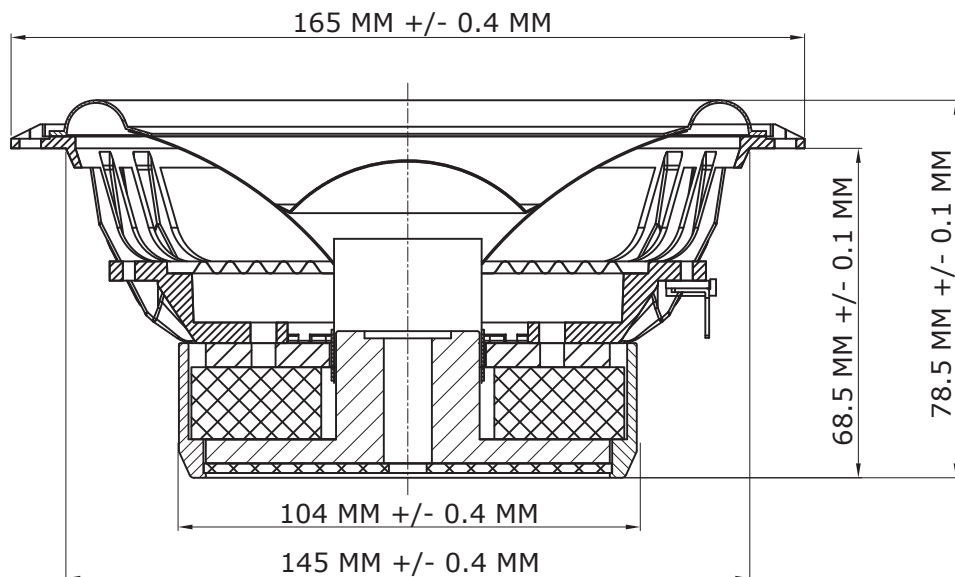
Tweeter



Midrange



Woofers



INSTALLATION

Prior to installation, ensure a proper location for the speaker system.

Due to the physical dimensions of the cabin, it is wise to test various points of placements if possible. If oem position is chosen, a good tip is to reinforce the mounting with a mdf ring and seal off leakage from that position. This will enhance mid bass response as well as optimizing overall performance. Do also try with slightly angling the midwoofer to "raise" the sound.

It is wise to keep both the midrange and tweeters in the same plane, this will make the sound appear more direct and it will cause less problems with an out of phase sensation.

The tweeters & midranges can preferably be mounted in a-pillars or placed close to the windscreen, mirroring of that and reflecting the sound towards the best audible position.

B² audio

B2

LIMITED WARRANTY INFORMATION

B2 audio offers a limited warranty under the following terms:

The product is to be free of defects in material & workmanship under normal use for a period of 1 year from the date of the original purchase, when installed by an authorized dealer. Items not installed by authorized dealers will be warrantied for 30 days from the original purchase. Original sales receipts must be accompanied with all returns. The warranty applies to the original purchaser of the product & it being sold by authorized B2 audio dealers.

- The warranty does not cover:
1. Damage caused by accident, abuse, misuse, improper operation, water / solvents & shipping.
 2. Product modification, neglect, failure to follow installation instructions & misrepresentation by the seller.
 3. Products used for competition purposes or are of such a character 4. Any product that has been opened.
 5. Products that has had the serial number defaced, altered or removed.
 6. The cost of shipping the product back for repair to an authorized repair centre & cost of return of non-defective items.

