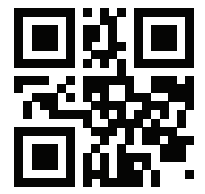


AUDIOPHILE ACOUSTICS



B2®

SWEET LIKE DANISH

RAGE SERIES SUBWOOFERS

MODEL: RAGE12D2

MODEL: RAGE12D4

MODEL: RAGE15D2

MODEL: RAGE15D4

PRODUCT ID: RA12D218

PRODUCT ID: RA12D418

PRODUCT ID: RA15D218

PRODUCT ID: RA15D418

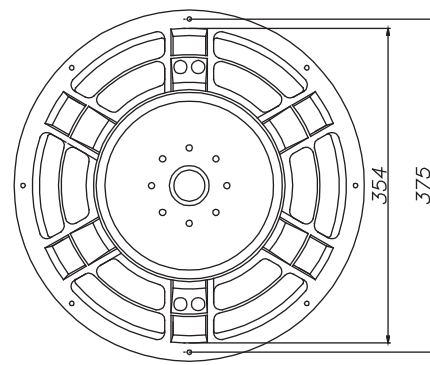
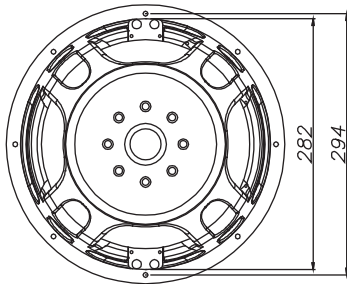
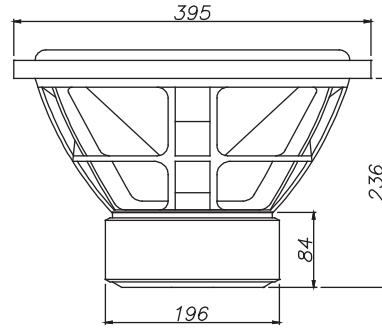
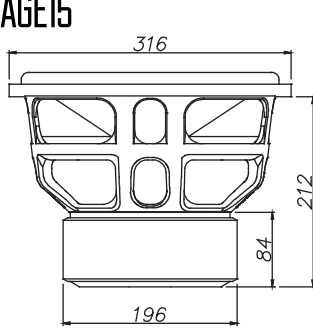
WWW.B2AUDIO.COM / WWW.FACEBOOK.COM/B2AUDIO





SWEET LIKE DANISH

MODEL: RAGE12 / RAGE15



MODEL:	RAGE1202	RAGE1204	RAGE1502	RAGE1504
SENSITIVITY:	86.5 dB	85.2 dB	90.2 dB	87.8 dB
NOMINAL IMPEDANCE:	Dual 2 Ω	Dual 4 Ω	Dual 2 Ω	Dual 4 Ω
DC RESISTANCE (DC):	1.9 Ω	3.2 Ω	1.9 Ω	3.2 Ω
VOICE COIL DIM:	3"	3"	3"	3"
POWER HANDLING*:	1200 Watts	1200 Watts	1200 Watts	1200 Watts
PEAK DYNAMIC POWER:	2000 Watts	2000 Watts	2000 Watts	2000 Watts
XMAX ONE WAY (MM):	20	20	20	20
VAS:	21.9 L	20.3 L	44.7 L	41.2 L
FS:	33 Hz	35 Hz	32 Hz	33.5 Hz
QES:	0.66	0.6	0.56	0.61
QMS:	2.52	6.27	6.73	6.24
QTS:	0.52	0.54	0.5	0.55
MAGNET:	180 Oz	180 Oz	180 Oz	180 Oz
DISPLACEMENT:	6.1 L / .216 cu.ft	6.1 L / .216 cu.ft	8.8 L / .312 cu.ft	8.8 L / .312 cu.ft

ENCLOSURE SUGGESTIONS			
TYPE	SEALED	PORTED COMPACT	PORTED
RAGE1202	23.7 L / .837 cu.ft Otc 0.562	38.4 L / 1.36 cu.ft P: 4" L: 13.5" / 34.3 cm FB: 38 Hz	60 L / 2.1 cu.ft P: 4" L: 14.4" / 36.5 cm FB: 33 Hz
	23.7 L / .837 cu.ft Otc 0.575	38.9 L / 1.38 cu.ft P: 4" L: 14.74" / 37.5 cm FB: 38 Hz	60 L / 2.1 cu.ft P: 4" L: 10.57" / 26.8 cm FB: 35 Hz
RAGE1502	41 L / 1.45 cu.ft Otc 0.557	71.8 L / 2.54 cu.ft P.A. 29.45 sq.in L: 19.85" FB: 38 Hz	100 L / 3.54 cu.ft P.A. 29.45 sq.in L: 20.1" FB: 32 Hz
	41 L / 1.45 cu.ft Otc 0.598	81.3 L / 2.87 cu.ft P.A. 37.97 sq.in L: 21" FB: 38 Hz	119 L / 4.2 cu.ft P.A. 37.97 sq.in L: 20" FB: 32 Hz

*It's essential that our speakers are given time to allow the suspension to soften up. Depending on use, this may take several weeks. While this process is undergoing, it is not recommended to apply full amplification power according to the speaker's specs. Once the moving parts have been broken in, the performance of your speaker will increase. Abuse of the unit is **not** covered by warranty. The warranty does not cover (1) Speakers that have been used for spl purpose in competitions, (2) Damage caused by amplifier clipping or distortion, (3) Exposure to water, oil, solvent & excessive temperatures +/- (5) Cost of shipping to / from authorized service center.