

### LIMITED WARRANTY INFORMATION

B2 audio offers a limited warranty under the following terms:

The product is to be free of defects in material & workmanship under normal use for a period of 1 year from the date of the original purchase, when installed by an authorized dealer. Items not installed by authorized dealers will be warranted for 30 days from the original purchase. Original sales receipts must be accompanied with all returns. The warranty applies to the original purchaser of the product & it being sold by authorized B2 audio dealers.

The warranty does **not** cover:

1. Damage caused by accident, abuse, misuse, improper operation, water / solvents & shipping.
2. Product modification, neglect, failure to follow installation instructions & misrepresentation by the seller.
3. Products used for competition purposes or are of such a character 4. Any product that has been opened.
5. Products that has had the serial number defaced, altered or removed.
6. The cost of shipping the product back for repair to an authorized repair centre & cost of return of non-defective items.



# RAGE MI USER MANUAL

PRODUCT ID:

RAGE MI 800.4 / RAGE MI 1000

[WWW.B2AUDIO.COM](http://WWW.B2AUDIO.COM) - [WWW.FACEBOOK.COM/B2AUDIO](http://WWW.FACEBOOK.COM/B2AUDIO) - [@B2AUDIOGRAM](https://www.instagram.com/B2AUDIOGRAM)

# INTRODUCTION

There are times when you need to make a statement, such as raising the bar & going beyond what has become the standard. For nearly a decade this has become synonymous with B2 audio. Whether it being product like subwoofers & amplifiers or even various competition formats in car audio, we have continuously set our standards higher. At times it might not be the most financially wise decision, but we are more than product and profits, we are first and foremost passionate about what we do, thus we want to implement our soul into each product.

## RAGE MI

Don't blow a fuse, keep calm. The next era comes with our redefined levels. The Rage series is "The increased Desire for B2 audio". The Rage should cover any need for near any type of user. Rage embodies it all, but the Mi does it on a way smaller footprint. Engineered to fit into any install with limited space. Bikes, ATV's or stealth installs. These amplifiers provides substantial power and authority, refined with the keystones of B2 audio resulting in numerous hours of pure pleasure.

To obtain the full potential of any amplifier & to minimize failure, it is advised to upgrade your stock electrical system. Don't take any shortcuts, a better electrical equals enhanced performance and stability.

Stay updated on B2 audio, follow us on social media & our website.

[www.b2audio.com](http://www.b2audio.com) - [www.facebook.com/b2audio](https://www.facebook.com/b2audio) - [instagram.com/b2audiogram](https://www.instagram.com/b2audiogram)

[www.youtube.com/b2audio](https://www.youtube.com/b2audio) - twitter: @b2\_audio



## **TROUBLESHOOTING**

### **Problem**

Run indicator doesn't light up.

### **Solution**

- Check all fuses on the amplifier.
- Check main fuse near battery.
- Check main plus and minus battery cables.
- Check remote voltage.

### **Problem**

Bass response is low.

### **Solution**

- One speaker cable could be disconnected the bass control on the radio is set low an active cross over is adjusted wrong.

### **Problem**

The amplifier switches on and off.

### **Solution**

- Bad chassis ground connection with amplifier cable terminals and battery terminals are oxidised low voltage from the battery remote wire is connected wrong.

For additional questions, please contact your authorised B2 audio dealer.

### **Problem**

Run indicator is on but no sound.

### **Solution**

- Check volume control on the radio.
- Check GAIN regulator on the amplifier.
- Check RCA cables and connections.
- Check speaker cables and connections.

## **AUDIOPHILE ACOUSTICS**

IS THE DNA OF B2 AUDIO, ANY PRODUCT IS DEVELOPED BY ADDING THE UNIQUENESS AND THOUGHT OF EVOLUTION IN THE SPECIFIC APPLICATION OF THE PRODUCT'S DESIGN.

KEEP IN MIND THAT CONTINUOUS EXPOSURE TO SPL ABOVE 100 DB CAN SERIOUSLY DAMAGE YOUR HEARING. TODAY'S HIGH POWER AUTO SOUND SYSTEMS CAN EASILY PRODUCE SPL ABOVE 140 DB. ENJOY YOUR PASSION WITH SENSE AND RESPECT FOR THE ENVIRONMENT.

## **CONTENTS**

|                                      |           |
|--------------------------------------|-----------|
| <b>INTRODUCTION</b>                  | <b>1</b>  |
| <b>DESIGN FEATURES</b>               | <b>2</b>  |
| <b>PREINSTALLTION</b>                | <b>3</b>  |
| <b>AMPLIFIER FUNCTIONS</b>           | <b>4</b>  |
| <b>POWER &amp; INPUT CONNECTIONS</b> | <b>10</b> |
| <b>TROUBLESHOOTING</b>               | <b>16</b> |

# DESIGN FEATURES

|                               |   |   |
|-------------------------------|---|---|
|                               | <b>RAGE MI 800.4</b>                    | <b>RAGE MI 1000</b>                     |
| <b>CIRCUIT CONFIGURATION:</b> | CLASS D FULLRANGE                       | CLASS D MONO                            |
| <b>FREQUENCY RESPONSE:</b>    | 20 HZ ~ 20 KHZ                          | 18 HZ ~ 180 HZ                          |
| <b>SIGNAL TO NOISE RATIO:</b> | >82 DB                                  | >95 DB                                  |
| <b>INPUT SENSITIVITY:</b>     | 6 V ~ 0.2 V                             | 6 V ~ 0.2 V                             |
| <b>CROSSOVER CIRCUIT:</b>     | 12 DB / OCT                             | 12 DB / OCT                             |
| <b>HIGH PASS CROSSOVER:</b>   | 35 HZ ~ 250 HZ                          | N.A.                                    |
| <b>LOW PASS CROSSOVER:</b>    | 35 HZ ~ 250 HZ                          | 40 HZ ~ 180 HZ                          |
| <b>BASS LEVEL</b>             | N.A                                     | 0 ~ 12 DB                               |
| <b>DAMPING FACTOR:</b>        | >400                                    | >400                                    |
| <b>POWER TERMINAL GAUGE</b>   | 8 GA                                    | 8 GA                                    |
| <b>FUSE RATING:</b>           | 50 A                                    | 80 A                                    |
| <b>DIMENSIONS:</b>            | 121 x 110 x 46 MM / 4.76 x 4.33 x 1.81" | 201 x 110 x 46 MM / 7.91 x 4.33 x 1.81" |

ALL FEATURES ARE SUBJECT TO CHANGE IN THE CONTINUING EFFORT TO IMPROVE THE PRODUCTS WITHOUT NOTICE

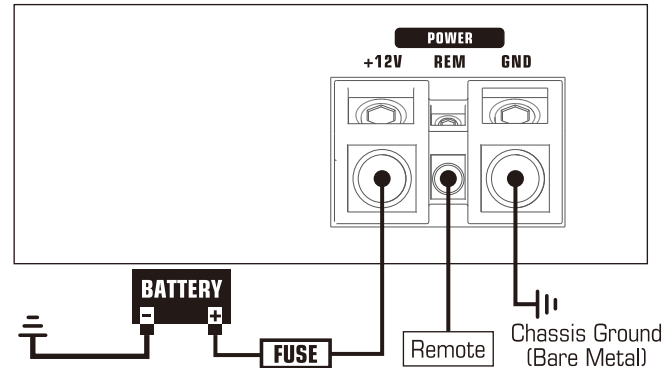
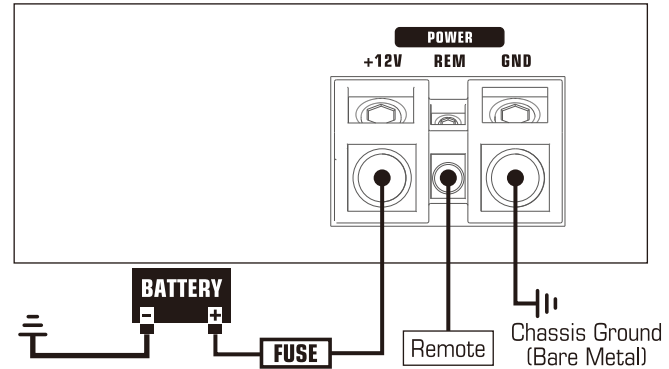
## CONTINUOUS OUTPUT POWER (RMS)

MEASURED @ 14.4 V <1% THD USING AUDIO PRECISION

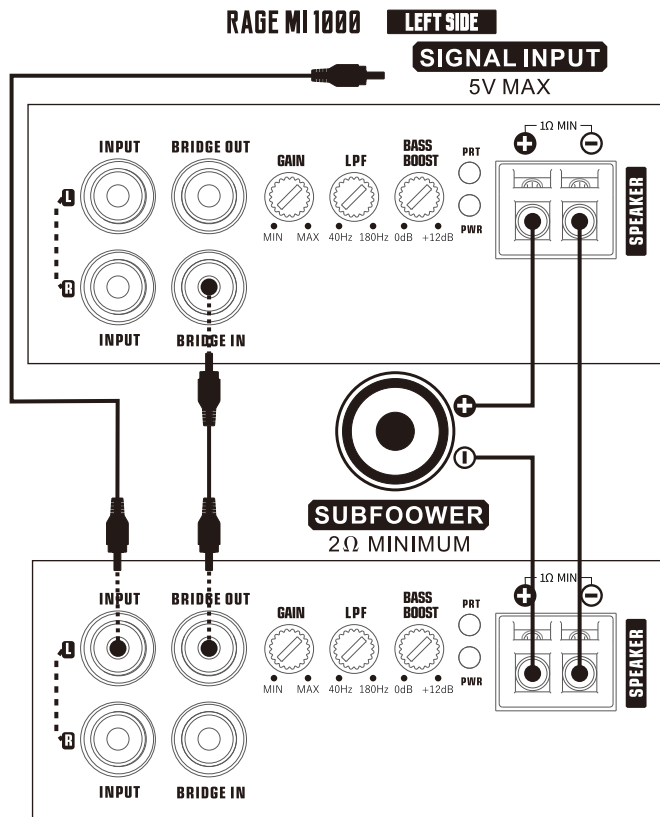
|                            |                      |                     |
|----------------------------|----------------------|---------------------|
|                            | <b>RAGE MI 800.4</b> | <b>RAGE MI 1000</b> |
| <b>OUTPUT POWER @ 4 Ω:</b> | 4 * 120 W            | 400 W               |
| <b>OUTPUT POWER @ 2 Ω:</b> | 4 * 200 W            | 700 W               |
| <b>OUTPUT POWER @ 1 Ω:</b> |                      | 1000 W              |

## 2-AMPLIFIER LINKED TO ONE CHANNEL

**RAGE MI 1000** **RIGHT-SIDE**



## 2-AMPLIFIER LINKED TO ONE CHANNEL



## DESCRIPTIONS OF SPECIFICATIONS

OPERATION BELOW MINIMUM IMPEDANCE WILL STRESS THE AMPLIFIER & VOID THE WARRANTY. EXCESSIVE HEAT WILL OCCUR, CAUSING THE AMPLIFIER TO GO INTO THERMAL PROTECTION. CONTINUOUS USE MAY SUSTAIN PERMANENT DAMAGE TO THE CIRCUIT. PROTECTION MAY ALSO BE CAUSED BY THE FOLLOWING

- \*INPUT VOLTAGE FROM HEADUNIT BEING TOO HIGH / LOW / POWER SUPPLY VOLTAGE TOO HIGH / LOW.
- \*SPEAKER OVERLOAD
- \*SHORT CIRCUIT

\*FULL OUTPUT POWER ACCORDING TO THE SPEC IS BASED ON A SUFFICIENT ELECTRICAL SUPPLY SYSTEM. IF YOUR SYSTEM IS INADEQUATE, THE EFFICIENCY OF THE AMPLIFIER DECREASES HURTING THE PERFORMANCE!

## PREINSTALLATION

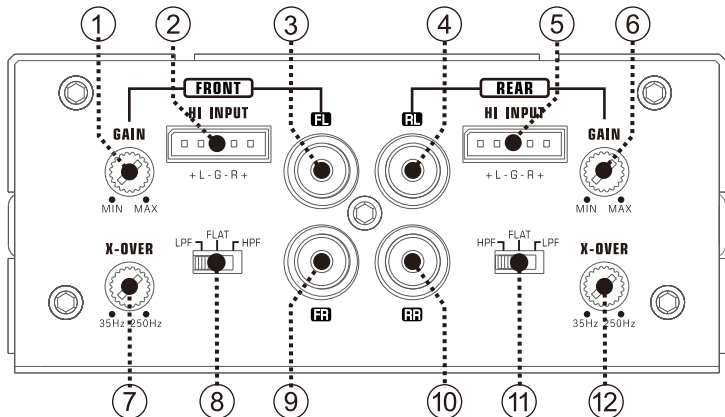
We recommend to have the installation done by an authorised B2 audio Retailer/Installer. A good way to know if you need professional installation is if you don't own a multimeter or don't know how to operate one then we strongly urge you to seek professional installation. Required power, ground wire and proper external fuse as below:

| Model         | Fuse   | Wire    |
|---------------|--------|---------|
| RAGE MI 800.4 | 50 AMP | 4 Gauge |
| RAGE MI 1000  | 80 AMP | 4 Gauge |

**NOTE:** The use of cheap aluminium or undersized power cable may result in voltage drop and can potentially void warranty in case of a failure. We strongly urge the use of good quality power cables and connection lugs.

# AMPLIFIER FUNCTIONS

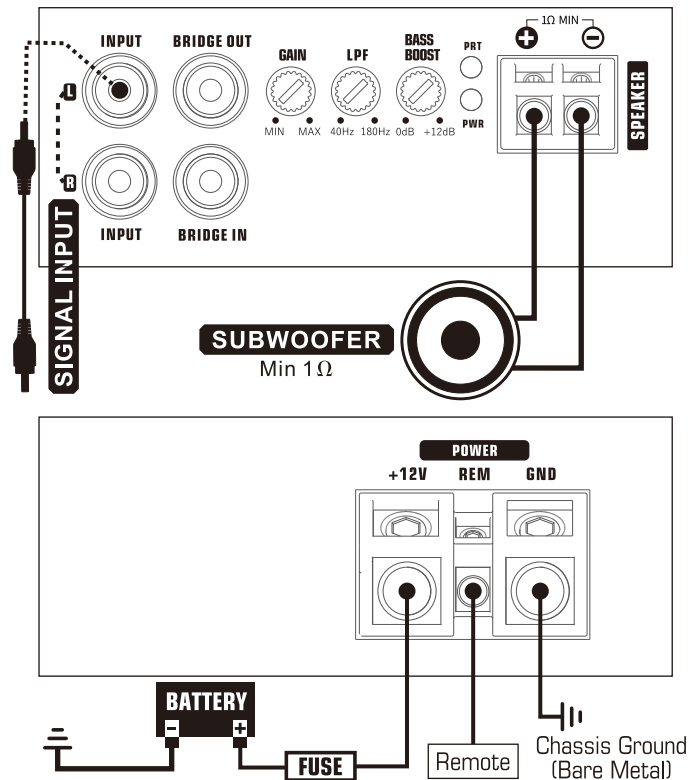
## RAGE MI 800.4 LEFT SIDE



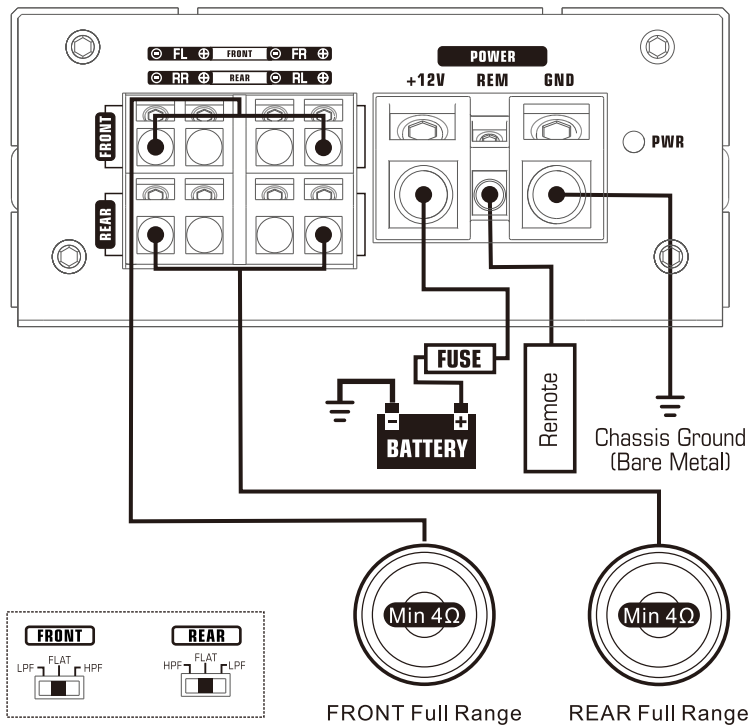
- |                               |                                |
|-------------------------------|--------------------------------|
| 1. Gain Control               | 7. Audio frequency adjustment  |
| 2. Front Audio Input          | 8. Filter Select Switch        |
| 3. RCA-FRONT-Left vocal tract | 9. RCA-FRONT-Right vocal tract |
| 4. RCA-REAR-Left vocal tract  | 10. RCA-REAR-Right vocal tract |
| 5. Front Audio Input          | 11. Filter Select Switch       |
| 6. Gain Control               | 12. Audio frequency adjustment |

# 1-CHANNEL OPERATION

## RAGE MI 1000



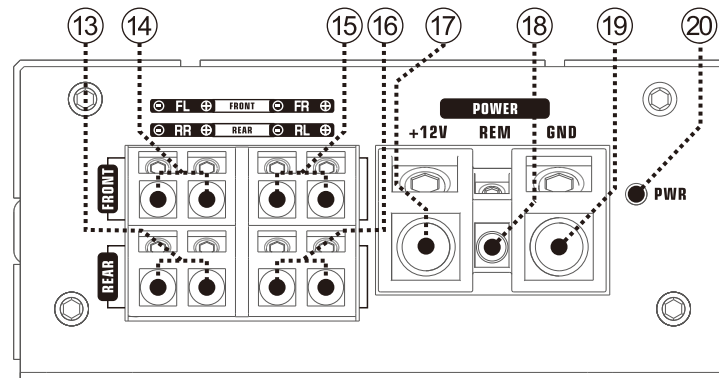
## 2-CHANNEL HIGH POWER SYSTEM (SATELLITE OR SUBWOOFER) RAGE MI 800.4



FRONT Full Range

REAR Full Range

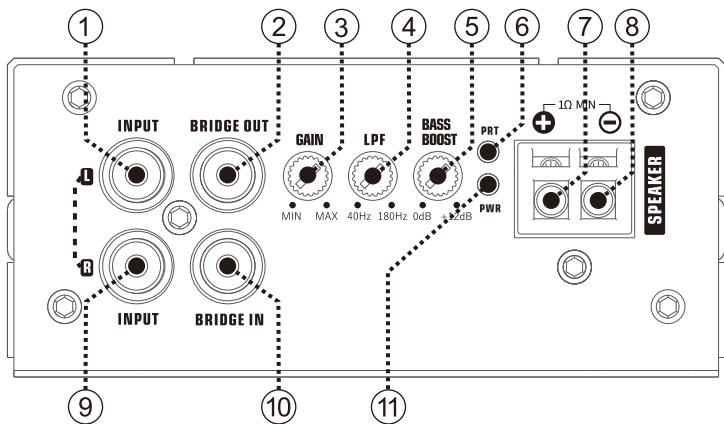
## RAGE MI 800.4 RIGHT SIDE



- 13.REAR FL
- 14.FRONT FL
- 15.FRONT FR
- 16.REAR RL

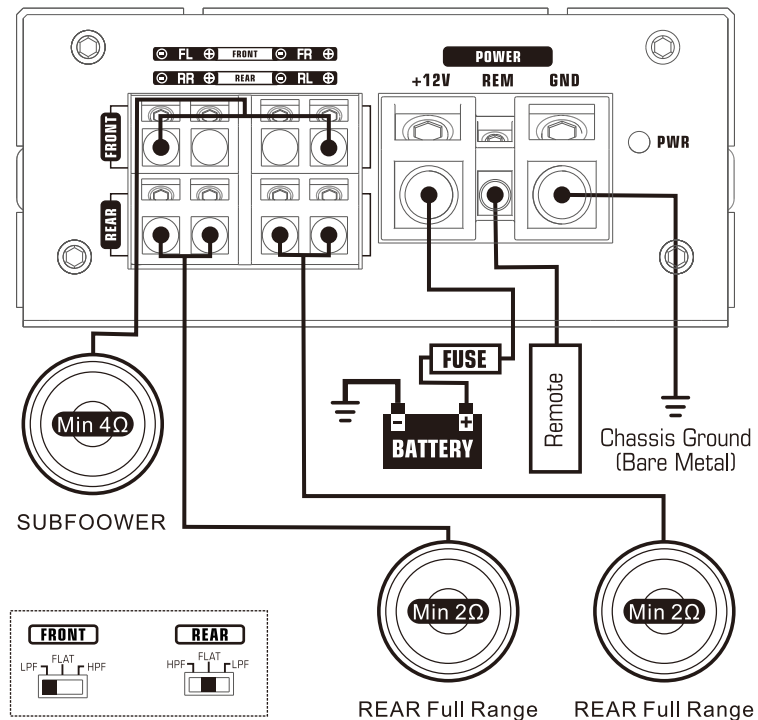
- 17.Battery +12V Input
- 18.Remote Turn-on Input
- 19.Ground Input
- 20.Power LED

**RAGE MI 1000 LEFT SIDE**



- 1. RCA Input Jacks
- 2. RCA Bridge Out Jacks
- 3. Gain Control
- 4. Low Pass Filter Control
- 5. Bass Boost Level Control
- 6. Protect LED
- 7. Speaker Connection +
- 8. Speaker Connection -
- 9. RCA Input Jacks
- 10. RCA Bridge Input Jacks
- 11. Power LED

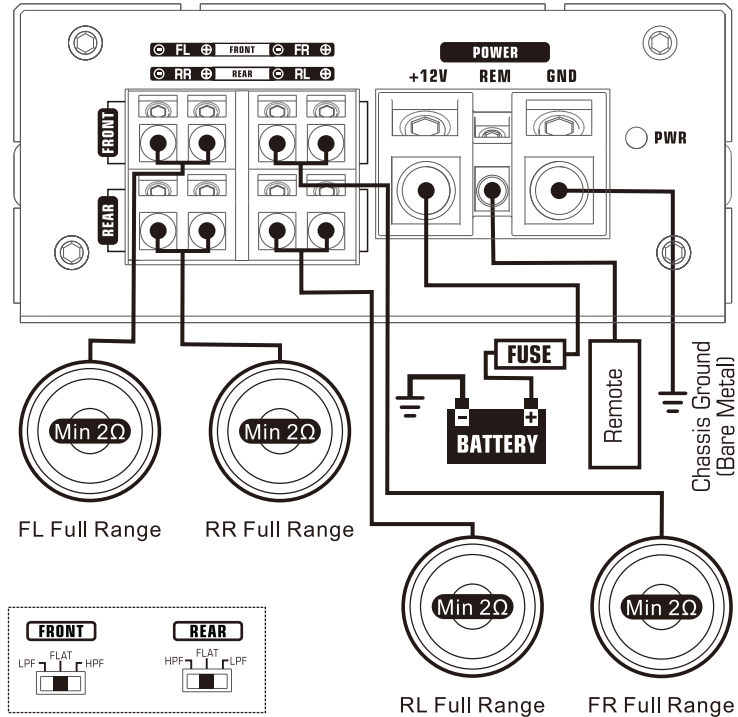
**BRIDGED-MONO SUBWOOFER SYSTEM  
RAGE MI 800.4**





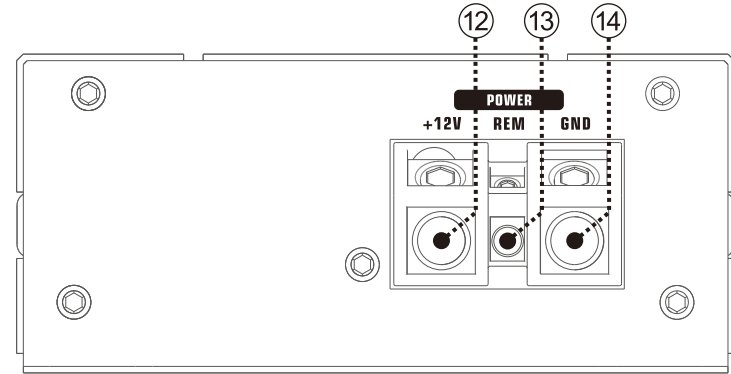
# 4-CHANNEL FULL-RANGE OPERATION

RAGE MI 1000.4



RAGE MI 1000

RIGHT SIDE



12. Battery +12V Input  
13. Remote Turn-on Input

14. Ground Input

### **Battery + 12V Input**

Battery + terminal. The +12 Volt power cable must be connected with an appropriate sized fuse in line near the battery + terminal. Please see the table of cable and fuse selection.

### **Bass Boost Level**

Adjust the boosted frequency from 0 ~ 12dB.

### **Low Pass Filter**

Filter out high frequency that the woofer can't play. Adjust this knob to match the woofer's frequency response. Typically this should be set within 10% range either side of what the speaker amp is set at for high pass. This will ensure a good blending of sound from subwoofer to midbass.

### **Gain Control**

Gain Control regulates the sensitivity of the amplifier input to match the signal output voltage of your source unit. The gain control is not a volume adjustment. Use high quality CD music and increase the volume of your source unit to 75%, set the gain at the minimum and then increase gain slowly (clockwise). Stop at the first sign of distortion, then lower the gain a little (counter clockwise) to achieve clear undistorted music at the maximum level. Always set up an amplifier using a cd and not a poor quality recorded device or fm radio.

### **Ground Input**

The chassis ground cable must be connected securely to a suitable electrical conductor like the chassis. Make sure that any paint is sanded back to ensure a good quality connection. If you pull on this connection it should not be able to move. If it moves the connection needs to be redone.

### **Remote Turn-On Input**

Remote Terminal. The remote cable must be connected with the radio remote terminal so that the amplifier will switch on and off automatically with the radio.

If there are two or more amplifiers installed together, it might be necessary to add an additional relay. Please consult your local B<sup>2</sup> audio retailer.

### **RCA Audio Input**

These RCA audio inputs connect to your radio RCA outputs. Please use good quality car audio RCA cables. B<sup>2</sup> audio recommend Stinger RCA cables to be used with their amplifiers. Keep these cables as short as possible to avoid any electrical interference from your car. Do not coil up extra RCA lengths, this can cause engine noise. Please purchase the appropriate length Stinger RCA cables. If your radio only has one pre-out, use suitable Stinger Y-RCA adaptor. If your radio has no pre-out, you must use a PAC HIGH LOW LEVEL adaptor.

### **POWER / PROTECT / CLIP LED**

This LED will light up with BLUE when amplifier works properly. When LED light up with RED, Amplifier may in self-protection mode or malfunction. Shut down the amplifier immediately. When LED light up with YELLOW, Amplifier could be overload Find the reason before power up again

### **Speaker Connection**

Never connect the speaker cables with the chassis ground. This may destroy your amplifier. Check that your speakers are connected correctly which means plus to plus and minus to minus.

We recommend speaker cable from 4ga to 8ga to be used. The connection diagrams are shown in the attachment.