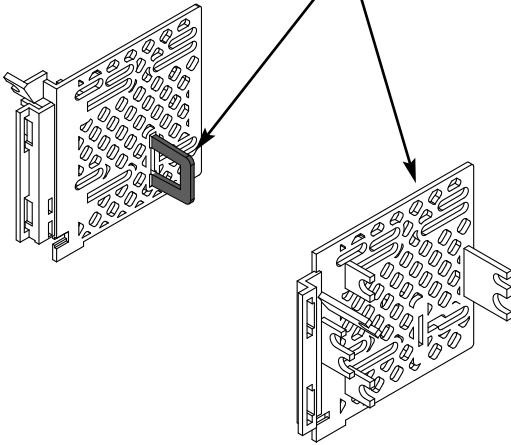
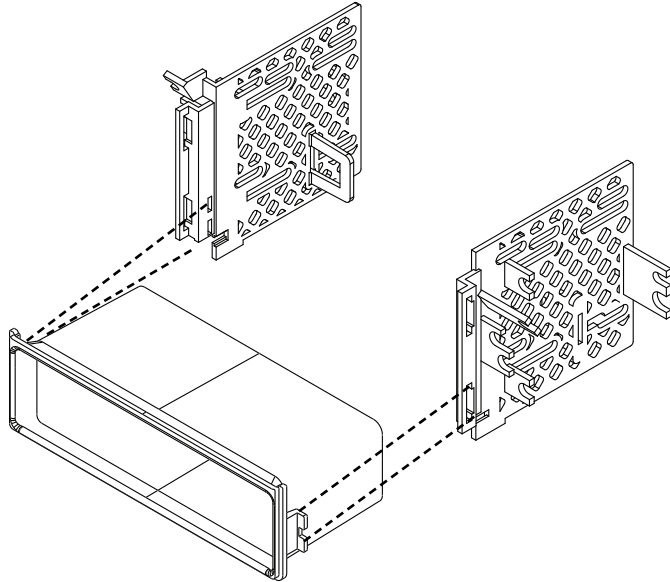


FOR ALL DOUBLE DIN INSTALLATIONS

Remove shaded tabs
on left and right sides
of the brackets
(Right side not shown)



FOR ALL SINGLE ISO INSTALLATIONS



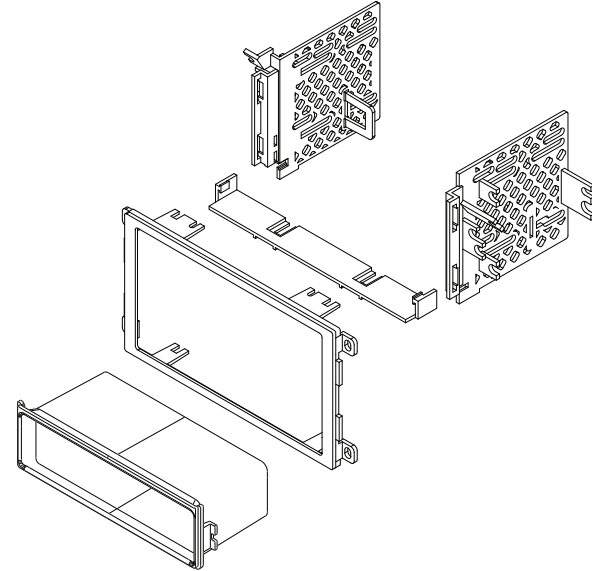
WWW.AIUS.NET

2500 East Francis Street Ontario, CA 91761, U.S.A.
USA Sales (800) 336-6500

CUSTOMER HELP LINE
USA 800-323-4329



American International
Car Stereo Installation Kits & Accessories



VEHICLE APPLICATIONS *Fits oversized Delco Radio dash opening only

Buick		2003-06	SILVERADO	2006-07	i350
1997-05	CENTURY	2007	SILVERADO	2007-09	i290
1995-05	LE SABRE		Classic	2007-09	i370
1995-05	PARK AVE	2003-06	SUBURBAN	Oldsmobile	
2004-07	RAINIER	2003-06	TAHOE	1996-98	ACHIEVA
1995-04	REGAL	1998-04	TRACKER	1999-04	ALERO
2002-07	RENDEZVOUS	2002-09	TRAILBLAZER	1995-03	AURORA
1996-99	RIVIERA	2000-05	VENTURE	1998-04	BRAVADA
1995-96	ROADMASTER	Geo		1995-99	CUTLASS/SUPREME
1996-98	SKYLARK	1995-97	METRO	1994-99	DELTA 88/ROYALE/88
Cadillac		GMC		1998-02	INTRIGUE
1990-96	FLEETWOOD	2004-12	CANYON	1996-99	LSS
1990-92	BROUGHAM	2002-09	ENVOY	1994-96	NINETY-EIGHT
1992-95	EL DORADO	2002-03	*JIMMY	1997-98	REGENCY
2003-06	ESCALADE/ESV	2001-07	SAVANA VAN	2000-04	SILOUETTE
1992-95	SEVILLE	2003-06	SIERRA	Pontiac	
Chevrolet		2007	SIERRA Classic	2001-05	AZTEK
2003-06	AVALANCHE	2002	*SONOMA	2000-05	BONNEVILLE
2002	*BLAZER	2003-04	SONOMA	2001-05	GRAND AM
2003-05	BLAZER	2003-06	YUKON	2000-05	SUNFIRE
2000-05	CAVALIER	2003-06	YUKON XL	2000-04	MONTANA
2004-12	COLORADO	Honda		2003-08	VIBE
2001-07	EXPRESS VAN	1998-02	PASSPORT	Suzuki	
2000-05	IMPALA	Hummer		2002	AERIO
2001-03	MALIBU	2003-06	H1	1992-98	SIDEKICK
2004	MALIBU CLASSIC	2003-07	H2/SUT	1998-02	ESTEEM
1998-01	METRO	Isuzu		1999-02	GRAND VITARA
2000-05	MONTE CARLO	1998-00	AMIGO	1995-01	SWIFT
2003-06	SSR	2003-08	ASCENDER	1999-03	VITARA
2002	*S-10 P/U	1998-04	RODEO	2001-02	XL-7
2003-04	S-10 P/U	2006-07	i280	Toyota	
				2003-04	MATRIX

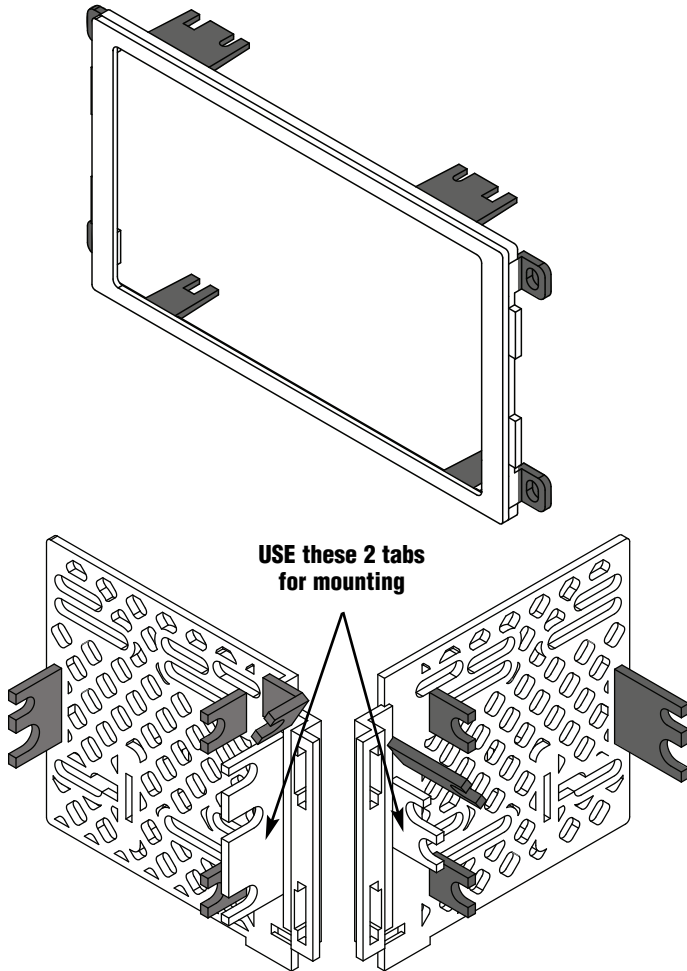
GMK421 Mounting Kit

VEHICLE GROUP A BRACKET PREPARATION

REMOVE ALL SHADED TABS

Group A

Buick	Cadillac	SSR	Isuzu	LSS
CENTURY	ESCALADE	TAHOE	ASCENDER	NINETY-EIGHT
LA SABRE	Chevrolet	VENTURE	i-280 / i-290	SILOUETTE
PARK AVE	BLAZER	GMC	i-350 / i-370	Pontiac
REGAL	CAVALIER	CANYON	Oldsmobile	AZTEK
REGENCY	COLORADO	ENVOY	ACHIEVA	BONNEVILLE
RENDEZVOUS	EXPRESS VAN	JIMMY	ALERO	GRAND AM
RIVIERA	IMPALA	SIERRA	AURORA	MONTANA
ROADMASTER	MALIBU	YUKON	YUKON	SUNFIRE
SKYLARK	MONTE CARLO	YUKON XL	BRAVADA	
	S-10 P/U	Hummer	CUTLASS/SUPREME	
	SILVERADO	H2	DELTA 88/ROYALE	
	SUBURBAN		INTRIGUE	



1990-1996 CADILLAC FLEETWOOD / FLEETWOOD BROUGHAM

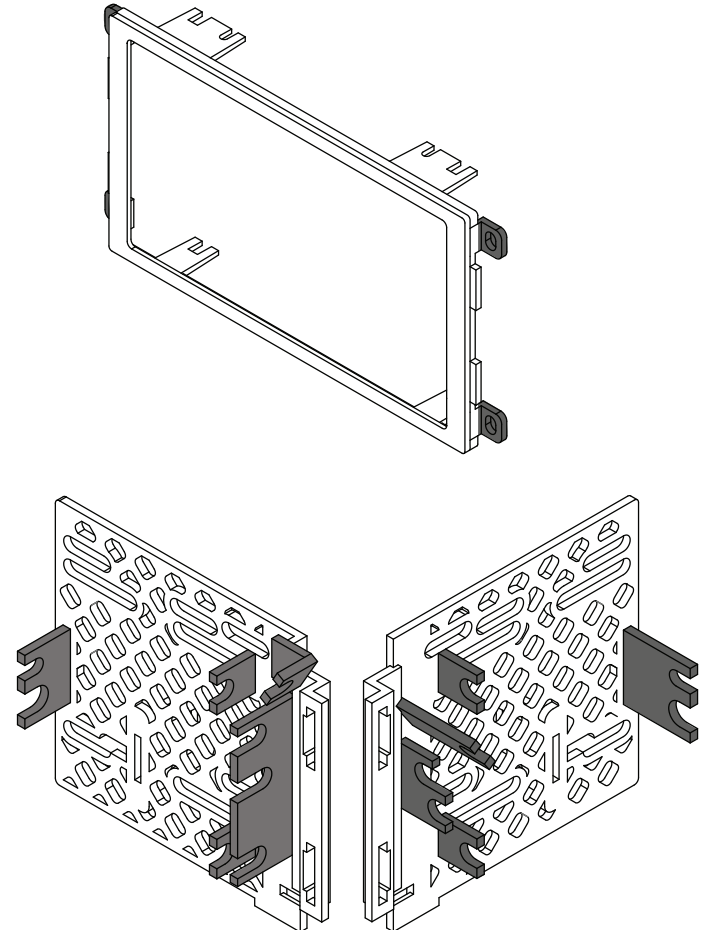
FACTORY BRACKET ATTACHMENT INSTRUCTIONS

1. Attach top factory mounting bracket (using carriage bolts and nuts supplied with kit) to top edge of kit.
2. Attach bottom factory mounting bracket (using carriage bolts and nuts supplied with kit) to bottom edge of kit.



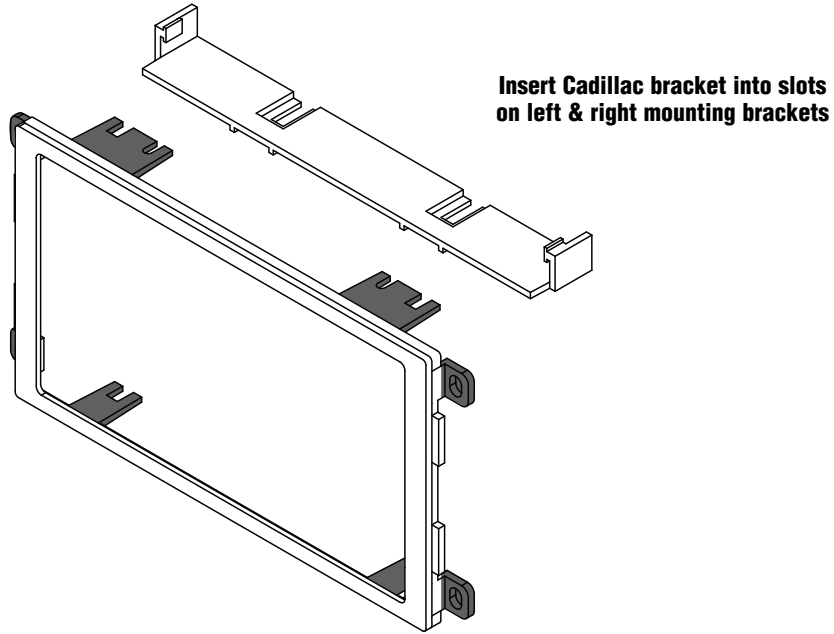
BRACKET PREPARATION

REMOVE ALL SHADED TABS

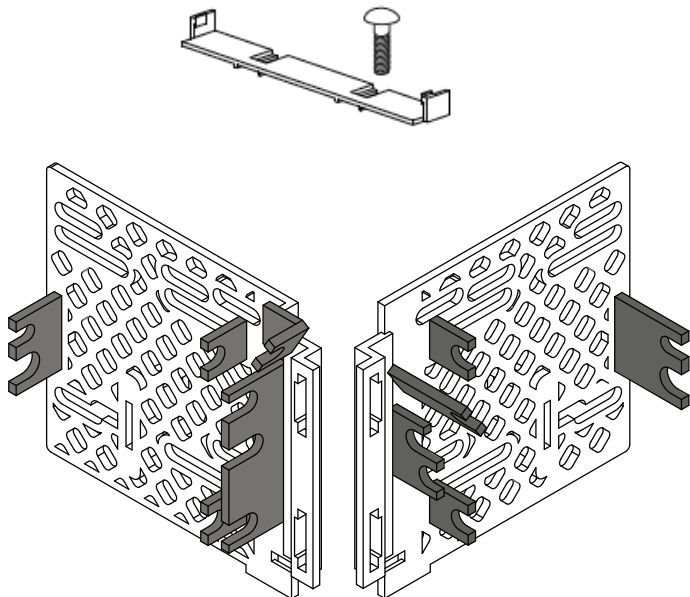


BRACKET PREPARATION

REMOVE ALL SHADED TABS

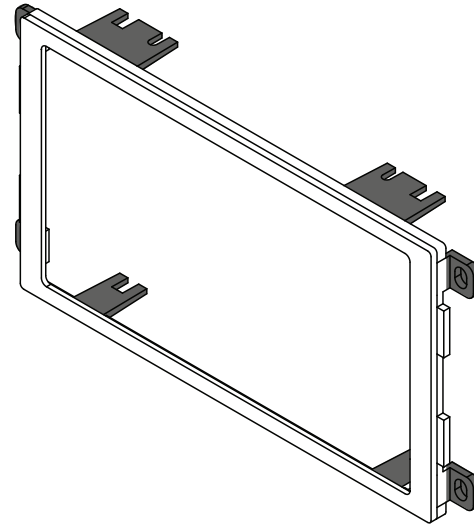


Using 2 nuts & bolts provided with kit, insert 1 bolt into each slot of Cadillac bracket facing downward as illustrated below

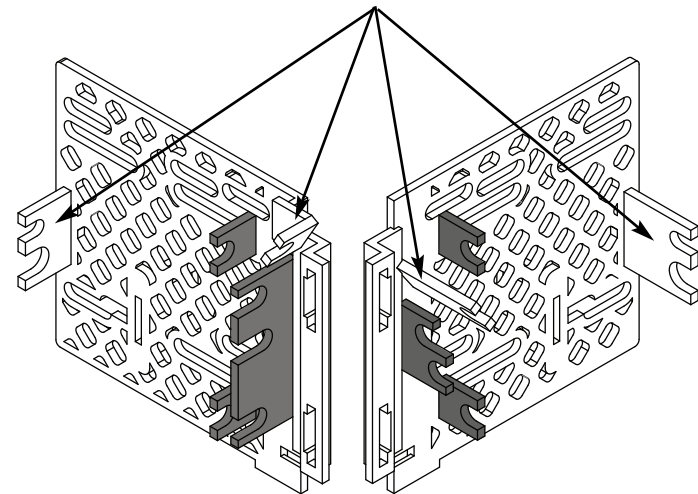


BRACKET PREPARATION

REMOVE ALL SHADED TABS

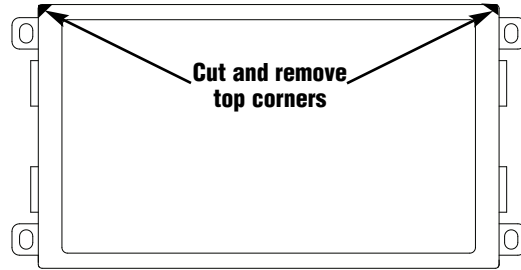


USE these 4 tabs for mounting



BRACKET PREPARATION

REMOVE ALL SHADED TABS



VEHICLE GROUP B BRACKET PREPARATION

REMOVE ALL SHADED TABS

Chevy/GEO
METRO
TRACKER

Suzuki
AERIO
ESTEEM
SIDEKICK
SWIFT
GRAND
VITARA
VITARA
XL-7

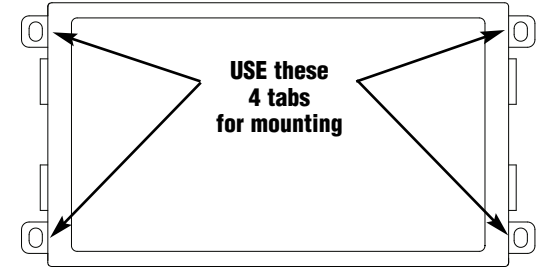


FIG. E

