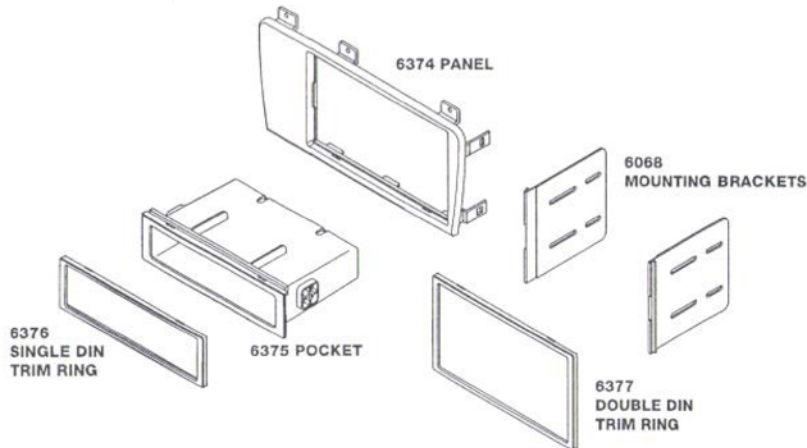


FP-10-060

DOUBLE DIN INSTALLATION KIT FOR 2005-UP VOLVO S60/V70



STEREO REMOVAL

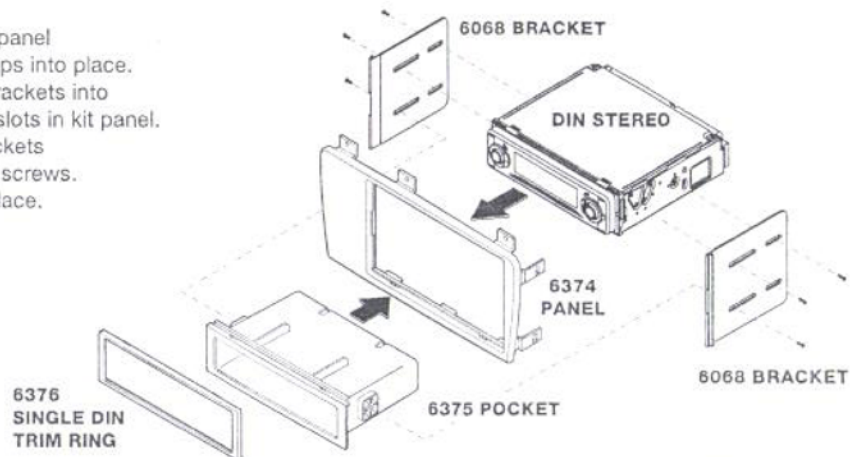
2005-UP VOLVO S60/V70

1. Move the shifter to the rear most position, unsnap the shifter trim and move it to one side.
2. Remove (2) T-25 Torx screws from bottom of the stereo/climate control cluster.
CAUTION: Do not remove connectors before turning the ignition off.
3. With stereo and climate controls out, remove (4) T-25 Torx screws holding the radio to the bracket, release the clips and remove the stereo.

MOUNTING THE STEREO

ISO MOUNT

1. Slide pocket into kit panel from front until it snaps into place.
2. Slide left and right brackets into their corresponding slots in kit panel.
3. Mount stereo to brackets with stereo supplied screws.
4. Snap trim ring into place.



DOUBLE DIN ISO MOUNT

1. Slide left and right double DIN ISO brackets into their corresponding slots in kit panel.
2. Mount stereo to brackets with stereo supplied screws.
3. Snap trim ring into place.

